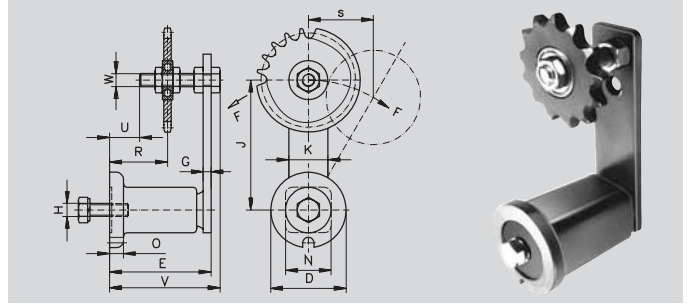


Chain Tensioners for Single-Strand Roller Chains DIN 8187

Material: Housing sintered steel or grey cast iron GG20, lever St52, sprocket made from steel.

This tensioning element, a continually-tensioning torsion element, prolongs the service life of chain and belt drives by at least 30%, and radically reduces maintenance and repair work. The unique operating principle of this spring offers a long tensioning distance, especially as the lever can be pre-tensioned by up to 30° in both directions. The permanent torsion force does not only automatically compensate the chain elongation, the rubber mounted element also dampens vibrations and shocks in the entire drive. Other advantages: chain track adjustable, rubber suspension, adjustable at an angle of 360°, tensioning pressure steplessly adjustable from "normal" to "hard". Can be used for both tensioning directions. Temperature range: -20° to +80°C.



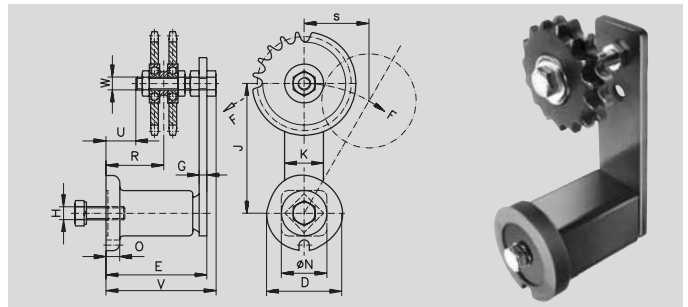
Ordering Details: e.g.: Product No. 140 501 00, Chain Tensioner, 06 B-1

Product No.	DIN ISO	Number of teeth	Pitch Ø mm	max.Tensioning Force N	D mm	E mm	G mm	H mm	J mm	K mm	N mm	O mm	R mm	S max. mm	U mm	V mm	W mm	Weight kg
140 501 00	06 B - 1	15	45.81	0- 350	58	79 ^{+1.5} _{-0.5}	7	M10	100	30	35	10.5	34-55	50	23	85	M 10	0.75
140 502 00	081	18	73.14	0- 350	58	79 ^{+1.5} _{-0.5}	7	M10	100	30	35	10.5	40-48	50	23	88	M 16	0.95
140 503 00	083	18	73.14	0- 350	58	79 ^{+1.5} _{-0.5}	7	M10	100	30	35	10.5	40-48	50	23	88	M 16	0.96
140 505 00	08 B - 1	15	61.08	0- 350	58	79 ^{+1.5} _{-0.5}	7	M10	100	30	35	10.5	34-55	50	23	85	M 10	0.80
140 506 00	10 B - 1	15	76.36	0- 810	78	108 ⁺² _{-0.5}	8	M12	130	50	52	15	42-80	65	27	115	M 12	2.05
140 507 00	12 B - 1	15	91.63	0- 810	78	108 ⁺² _{-0.5}	8	M12	130	50	52	15	42-80	65	27	115	M 12	2.25
140 508 00	16 B - 1	13	106.14	0-1500	95	140 ⁺² _{-0.5}	10	M16	175	60	66	15	60-100	87.5	40	153	M 20	4.80

Chain Tensioners for Double-Strand Roller Chains DIN 8187

Material: Housing sintered steel or grey cast iron GG20, lever St52, sprocket made from steel.

This tensioning element, a continually-tensioning torsion element, prolongs the service life of chain and belt drives by at least 30%, and radically reduces maintenance and repair work. The unique operating principle of this spring offers a long tensioning distance, especially as the lever can be pre-tensioned by up to 30° in both directions. The permanent torsion force does not only automatically compensate the chain elongation, the rubber mounted element also dampens vibrations and shocks in the entire drive. Other advantages: chain track adjustable, rubber suspension, adjustable at an angle of 360°, tensioning pressure steplessly adjustable from "normal" to "hard". Can be used for both tensioning directions. Temperature range: -20° to +80°C.



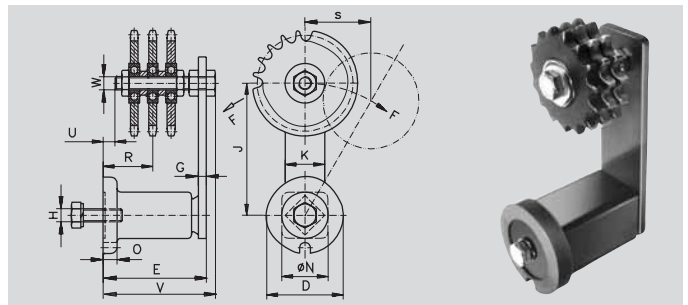
Ordering Details: e.g.: Product No. 140 521 00, Chain Tensioner, 06 B-2

Product No.	DIN ISO	Number of teeth	Pitch Ø mm	max.Tensioning Force N	D mm	E mm	G mm	H mm	J mm	K mm	N mm	O mm	R mm	S max. mm	U mm	V mm	W mm	Weight kg
140 521 00	06 B - 2	15	45.81	0- 350	58	79 ^{+1.5} _{-0.5}	7	M10	100	30	35	10.5	39-50	50	23	85	M 10	0.80
140 525 00	08 B - 2	15	61.08	0- 350	58	79 ^{+1.5} _{-0.5}	7	M10	100	30	35	10.5	41-48	50	23	85	M 10	0.80
140 526 00	10 B - 2	15	76.36	0- 810	78	108 ⁺² _{-0.5}	8	M12	130	50	52	15	50-71	65	27	115	M 12	2.30
140 527 00	12 B - 2	15	91.63	0- 810	78	108 ⁺² _{-0.5}	8	M12	130	50	52	15	51-70	65	27	115	M 12	2.75
140 528 00	16 B - 2	13	106.14	0-1500	95	140 ⁺² _{-0.5}	10	M16	175	60	66	15	56-85	87.5	20	153	M 20	5.65

Chain Tensioners for Triple-Strand Roller Chains DIN 8187

Material: Housing sintered steel or grey cast iron GG20, lever St52, sprocket made from steel.

This tensioning element, a continually-tensioning torsion element, prolongs the service life of chain and belt drives by at least 30%, and radically reduces maintenance and repair work. The unique operating principle of this spring offers a long tensioning distance, especially as the lever can be pre-tensioned by up to 30° in both directions. The permanent torsion force does not only automatically compensate the chain elongation, the rubber mounted element also dampens vibrations and shocks in the entire drive. Other advantages: chain track adjustable, rubber suspension, adjustable at an angle of 360°, tensioning pressure steplessly adjustable from "normal" to "hard". Can be used for both tensioning directions. Temperature range: -20° to +80°C.



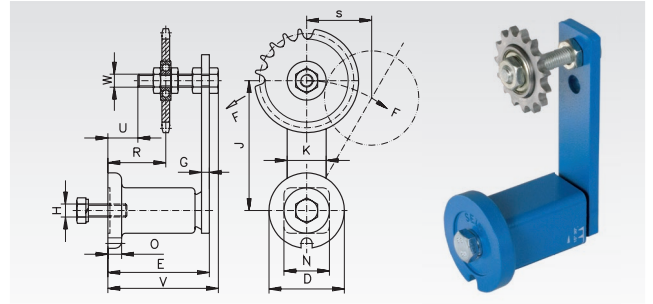
Ordering Details: e.g.: Product No. 140 531 00, Chain Tensioner, 06 B-3

Product No.	DIN ISO	Number of teeth	Pitch Ø mm	max.Tensioning Force N	D mm	E mm	G mm	H mm	J mm	K mm	N mm	O mm	R mm	S mm	U mm	V mm	W mm	Weight kg
140 531 00	06 B - 3	15	45.81	0- 350	58	79 ^{+1.5} _{-0.5}	7	M10	100	30	35	10.5	25-45	50	6	85	M 10	0.9
140 535 00	08 B - 3	15	61.08	0- 350	58	79 ^{+1.5} _{-0.5}	7	M10	100	30	35	10.5	23-47	50	6	85	M 12	0.9
140 536 00	10 B - 3	15	76.36	0- 810	78	108 ⁺² _{-0.5}	8	M12	130	50	52	15	40-64	65	15	115	M 12	3.25
140 537 00	12 B - 3	15	91.63	0- 1500	95	140 ⁺² _{-0.5}	10	M16	175	60	66	15	56-80	87.5	30	153	M 20	6.5

Chain Tensioners for Single-Strand Roller Chains DIN ISO 606 (ex DIN 8187)

Material: Housing sintered steel or grey cast iron, lever St52, sprocket made from steel.

This tensioning element, a continually-tensioning torsion element, prolongs the service life of chain and belt drives by at least 30%, and radically reduces maintenance and repair work. The unique operating principle of this spring offers a long tensioning distance, especially as the lever can be pre-tensioned by up to 30° in both directions. The permanent torsion force does not only automatically compensate the chain elongation, the rubber mounted element also dampens vibrations and shocks in the entire drive. Other advantages: chain track adjustable, rubber suspension, adjustable at an angle of 360°, tensioning pressure steplessly adjustable from "normal" to "hard". Can be used for both tensioning directions. Temperature range: -20° to +80°C.



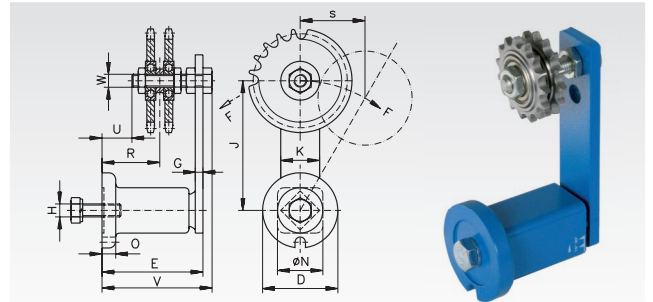
Ordering Details: e.g.: Product No. 140 802 00, Tensioner and 140 501 01, Sprocket

DIN ISO	Product No. Tensioning Element	Product No. Single Sprocket	No. of Teeth	Pitch Ø mm	max. Tensioning Force N	D mm	E mm	H mm	J mm	N mm	R mm	S max. mm	U mm	V mm	W mm	Weight kg
06 B - 1	140 802 00	140 501 01	15	45,81	0- 350	58	79 ^{+1,5} _{-0,5}	M10	100	35	34-55	50	23	85	M10	0,75
081	140 802 16	140 502 01	18	73,14	0- 350	58	79 ^{+1,5} _{-0,5}	M10	100	35	40-48	50	23	88	M16	0,95
083	140 802 16	140 503 01	18	73,14	0- 350	58	79 ^{+1,5} _{-0,5}	M10	100	35	40-48	50	23	88	M16	0,96
08 B - 1	140 802 00	140 505 01	15	61,08	0- 350	58	79 ^{+1,5} _{-0,5}	M10	100	35	34-55	50	23	85	M10	0,80
10 B - 1	140 803 00	140 506 01	15	76,35	0- 810	78	108 ⁺² _{-0,5}	M12	130	52	42-80	65	27	115	M12	2,05
12 B - 1	140 803 00	140 507 01	15	91,63	0- 810	78	108 ⁺² _{-0,5}	M12	130	52	42-80	65	27	115	M12	2,25
16 B - 1	140 804 00	140 508 01	13	106,14	0- 1500	95	140 ⁺² _{-0,5}	M16	175	66	60-100	87,5	40	153	M20	4,80

Chain Tensioners for Double-Strand Roller Chains DIN ISO 606 (ex DIN 8187)

Material: Housing sintered steel or grey cast iron, lever St52, sprocket made from steel.

This tensioning element, a continually-tensioning torsion element, prolongs the service life of chain and belt drives by at least 30%, and radically reduces maintenance and repair work. The unique operating principle of this spring offers a long tensioning distance, especially as the lever can be pre-tensioned by up to 30° in both directions. The permanent torsion force does not only automatically compensate the chain elongation, the rubber mounted element also dampens vibrations and shocks in the entire drive. Other advantages: chain track adjustable, rubber suspension, adjustable at an angle of 360°, tensioning pressure steplessly adjustable from "normal" to "hard". Can be used for both tensioning directions. Temperature range: -20° to +80°C.



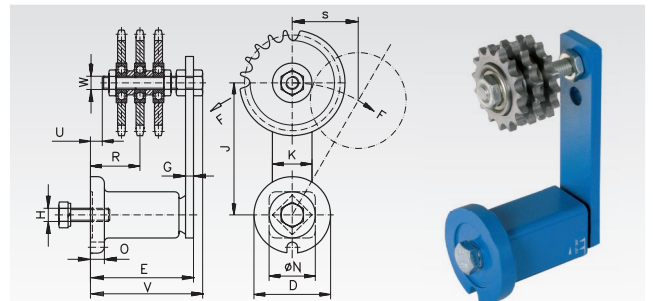
Ordering Details: e.g.: Product No. 140 802 00, Tensioner and 140 521 01, Sprocket

DIN ISO	Product No. Tensioning Element	Product No. Double Sprocket	No. of Teeth	Pitch Ø mm	max. Tensioning Force N	D mm	E mm	H mm	J mm	N mm	R mm	S max. mm	U mm	V mm	W mm	Weight kg
06 B - 2	140 802 00	140 521 01	15	45,81	0- 350	58	79 ^{+1,5} _{-0,5}	M10	100	35	39-50	50	23	85	M10	0,80
08 B - 2	140 802 00	140 525 01	15	61,08	0- 350	58	79 ^{+1,5} _{-0,5}	M10	100	35	41-48	50	23	85	M10	0,80
10 B - 2	140 803 00	140 526 01	15	76,35	0- 810	78	108 ⁺² _{-0,5}	M12	130	52	50-71	65	27	115	M12	2,30
12 B - 2	140 803 00	140 527 01	15	91,63	0- 810	78	108 ⁺² _{-0,5}	M12	130	52	51-70	65	27	115	M12	2,75
16 B - 2	140 804 00	140 528 01	13	106,14	0- 1500	95	140 ⁺² _{-0,5}	M16	175	66	56-85	87,5	20	153	M20	5,65

Chain Tensioners for Triple-Strand Roller Chains DIN ISO 606 (ex DIN 8187)

Material: Housing sintered steel or grey cast iron, lever St52, sprocket made from steel.

This tensioning element, a continually-tensioning torsion element, prolongs the service life of chain and belt drives by at least 30%, and radically reduces maintenance and repair work. The unique operating principle of this spring offers a long tensioning distance, especially as the lever can be pre-tensioned by up to 30° in both directions. The permanent torsion force does not only automatically compensate the chain elongation, the rubber mounted element also dampens vibrations and shocks in the entire drive. Other advantages: chain track adjustable, rubber suspension, adjustable at an angle of 360°, tensioning pressure steplessly adjustable from "normal" to "hard". Can be used for both tensioning directions. Temperature range: -20° to +80°C.



Ordering Details: e.g.: Product No. 140 802 00, Tensioner and 140 531 01, Sprocket

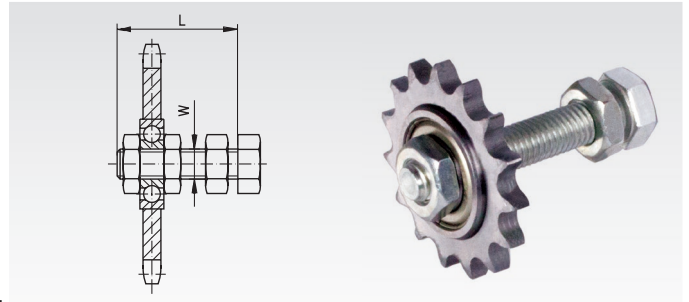
DIN ISO	Product No. Tensioning Element	Product No. Triple Sprocket	No. of Teeth	Pitch Ø mm	max. Tensioning Force N	D mm	E mm	H mm	J mm	N mm	R mm	S max. mm	U mm	V mm	W mm	Weight kg
06 B - 3	140 802 00	140 531 01	15	45,81	0- 350	58	79 ^{+1,5} _{-0,5}	M10	100	35	25-45	50	6	85	M10	0,90
08 B - 3	140 802 12	140 535 01	15	61,08	0- 350	58	79 ^{+1,5} _{-0,5}	M10	100	35	23-47	50	6	85	M12	0,90
10 B - 3	140 803 00	140 536 01	15	76,35	0- 810	78	108 ⁺² _{-0,5}	M12	130	52	40-64	65	15	115	M12	3,25
12 B - 3	140 804 00	140 537 01	15	91,63	0- 1500	95	140 ⁺² _{-0,5}	M16	175	66	56-80	87,5	30	153	M20	6,50

Sprocket Sets for Chain Tensioners Single

Material: Steel St40/50. Screw zinc-plated steel.

The sprocket can be moved on the screw and thus be aligned with the chain. It is locked in the desired position with the nuts. The permanently lubricated 2-Z bearings are sealed on both sides and guarantee perfect running of the sprocket.

Temperature range: -20° to +120°C.



Ordering Details: e.g.: Product No. 140 501 01, Sprocket Set for Chain Tensioner Size 1

Product No.	Matching Tensioning Element Size	DIN ISO	No. of Teeth	Pitch Ø mm	L mm	W mm	Weight kg
140 501 01	1 and 2	06 B - 1	15	45,81	55	M10	0,08
140 502 01*	1 ¹⁾ and 2 ²⁾	081	18	73,14	55	M16 ³⁾	0,19
140 503 01*	1 ¹⁾ and 2 ²⁾	083	18	73,14	55	M16 ³⁾	0,21
140 505 01	1 and 2	08 B - 1	15	61,08	55	M10	0,20
140 506 01	3	10 B - 1	15	76,36	80	M12	0,30
140 507 01	3	12 B - 1	15	91,63	80	M12	0,51
140 508 01	4	16 B - 1	13	106,14	100	M20	0,95

¹⁾ Tensioning element bore needs to be drilled out. ²⁾ Matching Product No. 140 802 16. ³⁾ With special ball bearing, length of inner ring 18.3mm.

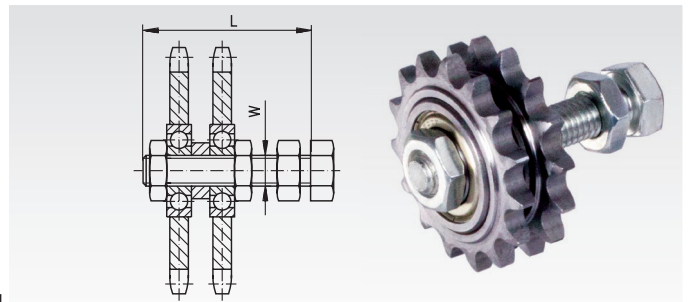
Sprocket Sets for Chain Tensioners, Double

Material: Steel St40/50. Screw zinc-plated steel.

The sprocket can be moved on the screw and thus be aligned with the chain. It is locked in the desired position with the nuts. The permanently lubricated 2-Z bearings are sealed on both sides and guarantee perfect running of the sprocket.

Accurate-to-size spacers guarantee perfect meshing of teeth and sprocket.

Temperature range: -20° to +120°C.



Ordering Details: e.g.: Product No. 140 521 01, Sprocket Set for Chain Tensioner Size 1

Product No.	Matching Tensioning Element Size	DIN ISO	No. of Teeth	Pitch Ø mm	L mm	W mm	Weight kg
140 521 01	1 and 2	06 B - 2	15	45,81	55	M10	0,15
140 525 01	1 and 2	08 B - 2	15	61,08	70	M10	0,40
140 526 01	3	10 B - 2	15	76,36	80	M12	0,60
140 527 01	3	12 B - 2	15	91,63	80	M12	1,00
140 528 01	4	16 B - 2	13	106,14	120	M20	1,90

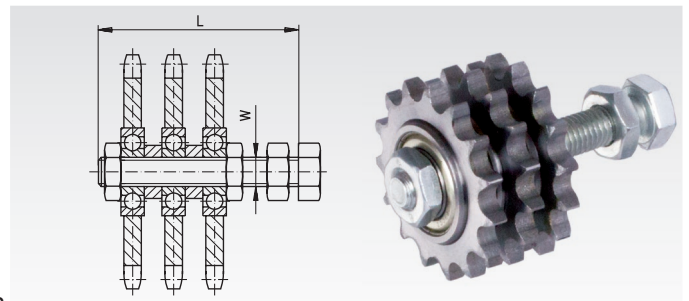
Sprocket Sets for Chain Tensioners, Triple

Material: Steel St40/50. Screw zinc-plated steel.

The sprocket can be moved on the screw and thus be aligned with the chain. It is locked in the desired position with the nuts. The permanently lubricated 2-Z bearings are sealed on both sides and guarantee perfect running of the sprocket.

Accurate-to-size spacers guarantee perfect meshing of teeth and sprocket.

Temperature range: -20° to +120°C.



Ordering Details: e.g.: Product No. 140 531 01, Sprocket Set for Chain Tensioner Size 2

Product No.	Matching Tensioning Element Size	DIN ISO	No. of Teeth	Pitch Ø mm	L mm	W mm	Weight kg
140 531 01	2	06 B - 3	15	45,81	70	M10	0,25
140 535 01	2* and 3	08 B - 3	15	61,08	80	M12	0,50
140 536 01	3	10 B - 3	15	76,36	80	M12	0,95
140 537 01	4	12 B - 3	15	91,63	120	M20	1,50

* Matching tensioning element Product No. 140 802 12.