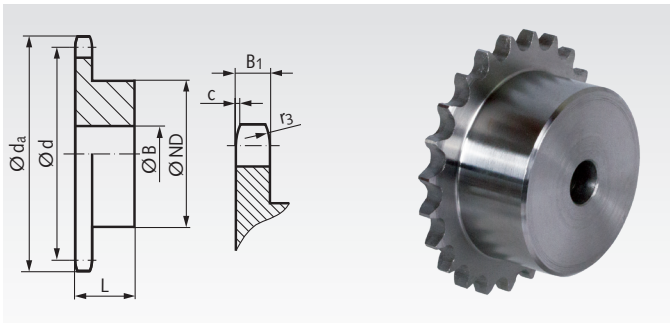


Sprockets KRS with One-Sided Hub, ISO 20 B-1



Material: Steel C45, not hardened.
Pre-bored. Sprockets marked with * from grey cast iron GG25.
Sprockets marked with 1) are from steel St52 with welded hub.

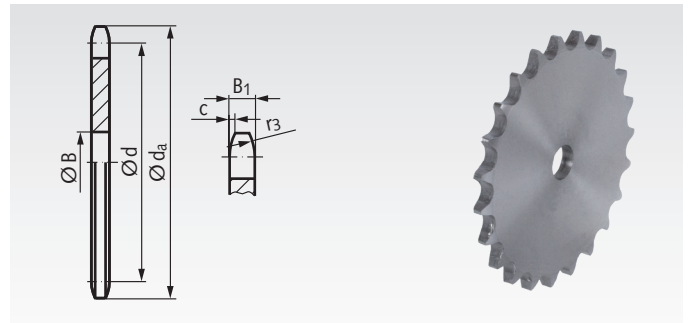
Ordering Details: e.g.: Product No. 109 108 00, KRS, ISO 20 B-1, 8 Teeth

ISO 20 B-1, Pitch 1 1/4 x 3/4"

$B_1 = 18.5 \text{ mm}$, $c = 3.5 \text{ mm}$, $r_3 = 32 \text{ mm}$

Product No.	Number of teeth	d_a mm	d mm	ND mm	B mm	L mm	Weight kg
109 108 00	8	98,1	82,96	53	20	40	0,90
109 109 00	9	108,0	92,84	63	20	40	1,30
109 110 00	10	117,9	102,74	70	20	40	1,60
109 111 00	11	127,8	112,68	77	20	45	2,10
109 112 00	12	137,8	122,68	88	20	45	2,70
109 113 00	13	147,8	132,65	98	20	45	3,30
109 114 00	14	157,8	142,68	108	20	45	3,90
109 115 00	15	167,9	152,72	118	20	45	4,60
109 116 00	16	177,9	162,75	120	25	50	5,35
109 117 00	17	187,9	172,78	120	25	50	5,75
109 118 00	18	198,0	182,85	120	25	50	6,10
109 119 00	19	208,1	192,91	120	25	50	6,60
109 120 00	20	218,1	202,98	120	25	50	7,00
109 121 00	21	228,2	213,04	140	25	55	9,10
109 123 00	23	248,3	233,17	140	25	55	10,00
109 125 00	25	268,5	253,33	140	25	55	11,00
109 127 00	27	288,6	273,49	150	30	55	13,00
109 130 00	30	318,9	303,75	150	30	55	15,45
109 135 00	35 ¹⁾	369,4	354,20	150	30	55	19,50
109 138 00*	38	399,6	384,49	125	35	70	11,90
109 145 00*	45	470,3	455,17	125	35	70	13,80
109 157 00*	57	591,5	576,36	135	40	80	24,00
109 176 00*	76	783,5	768,32	140	50	90	37,50

Plate wheels KRL, ISO 20 B-1



Material: Low-carbon steel, not hardable.
Pre-bored.

Ordering Details: e.g.: Product No. 109 208 00, KRL, ISO 20 B-1, 8 Teeth

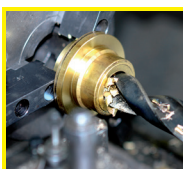
ISO 20 B-1, Pitch 1 1/4 x 3/4"

$B_1 = 18.5 \text{ mm}$, $c = 3.5 \text{ mm}$, $r_3 = 32 \text{ mm}$

Product No.	Number of teeth	d_a mm	d mm	B mm	Weight kg
109 208 00	8	98,1	82,96	16	0,65
109 209 00	9	108,0	92,84	16	0,80
109 210 00	10	117,9	102,74	16	1,00
109 211 00	11	127,8	112,68	20	1,20
109 212 00	12	137,8	122,68	20	1,45
109 213 00	13	147,8	132,65	20	1,70
109 214 00	14	157,8	142,68	20	2,00
109 215 00	15	167,9	152,72	20	2,40
109 216 00	16	177,9	162,75	20	2,60
109 217 00	17	187,9	172,78	20	3,00
109 218 00	18	198,0	182,85	20	3,30
109 219 00	19	208,1	192,91	20	3,75
109 220 00	20	218,1	202,98	20	4,20
109 221 00	21	228,2	213,04	25	4,60
109 222 00	22	238,3	223,11	25	5,00
109 223 00	23	248,3	233,17	25	5,55
109 224 00	24	258,4	243,23	25	6,25
109 225 00	25	268,5	253,33	25	6,60
109 227 00	27	288,6	273,40	30	7,80
109 230 00	30	318,9	303,75	30	9,80
109 235 00	35	369,4	354,20	30	13,40
109 238 00	38	399,6	384,49	30	15,80
109 240 00	40	419,8	404,68	30	18,00
109 245 00	45	470,3	455,17	30	22,50
109 248 00	48	500,6	485,46	30	26,00
109 254 00	54	561,2	546,07	30	32,00
109 257 00	57	591,5	576,36	30	35,00



Sprockets marked with * are made from grey cast iron GG25.



**Reworking within
24h-service possible.
Custom made parts
on request.**

**Bolt-on hubs for
plate wheels page 96**

