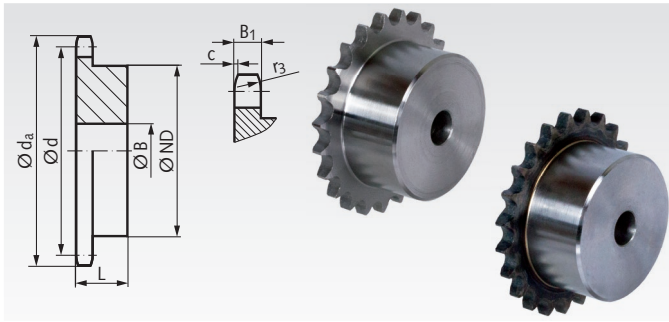


Sprockets with One-Sided Hub, ISO 12 B-1



Material: Steel C45, optionally hardened. Pre-bored.
Sprockets with * from grey cast iron GG25.
Sprockets marked with 1) are from steel St52 with welded hub.

Type KRS: Not hardened.

Type KRG: Teeth induction hardened (approx. HRC 50).

Ordering Details: e.g.: Product No. 107 108 00, KRS, ISO 12 B-1, 8 Teeth

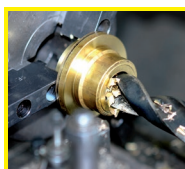
ISO 12 B-1, Pitch 3/4 x 7/16"

$B_1 = 11.1$ mm, $c = 2.0$ mm, $r_3 = 19$ mm

Product No. Type KRS	Product No. Type KRG	Number of teeth	d_a mm	d mm	ND mm	B mm	L mm	Weight kg
107 108 00	107 881 08	8	57,6	49,78	31	12	30	0,22
107 109 00	107 881 09	9	62,0	55,70	37	12	30	0,30
107 110 00	107 881 10	10	69,0	61,64	42	12	30	0,39
107 111 00	107 881 11	11	75,0	67,61	46	16	35	0,53
107 112 00	107 881 12	12	81,5	73,61	52	16	35	0,67
107 113 00	107 881 13	13	87,5	79,59	58	16	35	0,83
107 114 00	107 881 14	14	93,6	85,61	64	16	35	1,00
107 115 00	107 881 15	15	99,8	91,63	70	16	35	1,18
107 116 00	107 881 16	16	105,5	97,65	75	16	35	1,35
107 117 00	107 881 17	17	111,5	103,67	80	16	35	1,53
107 118 00	107 881 18	18	118,0	109,71	80	16	35	1,61
107 119 00	107 881 19	19	124,2	115,75	80	16	35	1,72
107 120 00	107 881 20	20	129,7	121,78	80	16	35	1,80
107 121 00	107 881 21	21	136,0	127,82	90	20	40	2,35
107 122 00	107 881 22	22	141,8	133,86	90	20	40	2,47
107 123 00	107 881 23	23	149,0	139,90	90	20	40	2,55
107 124 00	107 881 24	24	153,9	145,94	90	20	40	2,68
107 125 00	107 881 25	25	160,0	152,00	90	20	40	2,78
107 126 00	107 881 26	26	165,9	158,04	95	20	40	3,09
107 127 00	107 881 27	27	172,3	164,09	95	20	40	3,20
107 128 00	107 881 28	28	178,0	170,13	95	20	40	3,35
107 130 00	107 881 30	30	190,5	182,25	95	20	40	3,61
107 132 00	107 881 32	32	203,3	194,35	100	20	40	4,10
107 134 00	107 881 34	34	214,6	206,46	100	20	40	4,45
107 135 00	107 881 35	35	221,0	212,52	100	20	40	4,62
107 136 00	107 881 36	36	226,8	218,58	100	20	40	4,77
107 138 00	107 881 38	38	239,0	230,69	100	20	40	5,00
107 140 00	107 881 40	40	251,3	242,81	100	20	40	5,56
107 145 00*	-	45	282,5	273,10	100	24	56	5,38
107 148 00 ¹⁾	-	48	300,1	291,27	110	25	56	9,67
107 150 00 ¹⁾	-	50	312,3	303,39	110	25	56	10,15
107 157 00*	-	57	354,0	345,81	100	30	56	7,06
107 176 00*	-	76	469,9	460,99	100	30	56	9,49
107 183 00*	-	95	585,1	576,17	100	30	65	15,53
107 188 00*	-	114	700,6	691,36	100	30	65	23,00

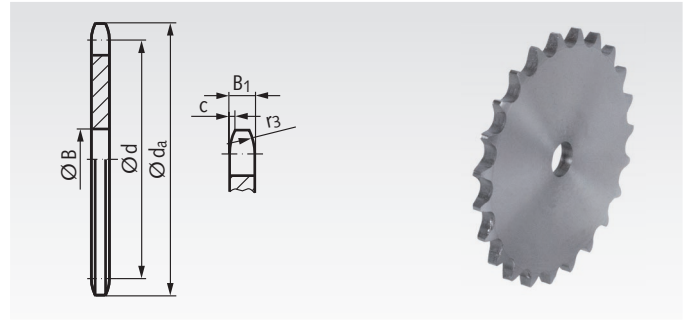


Sprockets marked with * are made from grey cast iron GG25.



**Reworking within
24h-service possible.
Custom made parts
on request.**

Plate wheels KRL, ISO 12 B-1



Material: Low-carbon steel, not hardable.
Pre-bored.

Ordering Details: e.g.: Product No. 107 208 00, KRL, ISO 12 B-1, 8 Teeth

ISO 12 B-1, Pitch 3/4 x 7/16"

$B_1 = 11.1$ mm, $c = 2.0$ mm, $r_3 = 19$ mm

Product No. Type KRL	Number of teeth	d_a mm	d mm	B mm	Weight kg
107 208 00	8	57,6	49,78	12	0,12
107 209 00	9	62,0	55,70	12	0,16
107 210 00	10	69,0	61,64	12	0,20
107 211 00	11	75,0	67,61	14	0,24
107 212 00	12	81,5	73,61	14	0,29
107 213 00	13	87,5	79,59	14	0,35
107 214 00	14	93,6	85,61	14	0,40
107 215 00	15	99,8	91,63	14	0,48
107 216 00	16	105,5	97,65	14	0,55
107 217 00	17	111,5	103,67	14	0,64
107 218 00	18	118,0	109,71	14	0,70
107 219 00	19	124,2	115,75	14	0,79
107 220 00	20	129,7	121,78	14	0,89
107 221 00	21	136,0	127,82	16	0,98
107 222 00	22	141,8	133,86	16	1,07
107 223 00	23	149,0	139,90	16	1,18
107 224 00	24	153,9	145,94	16	1,32
107 225 00	25	160,0	152,00	16	1,43
107 226 00	26	165,9	158,04	16	1,54
107 227 00	27	172,3	164,09	16	1,67
107 228 00	28	178,0	170,13	16	1,76
107 229 00	29	184,1	176,19	16	1,93
107 230 00	30	190,5	182,25	16	2,10
107 232 00	32	203,3	194,35	20	2,37
107 234 00	34	214,6	206,46	20	2,49
107 235 00	35	221,0	212,52	20	2,79
107 236 00	36	226,8	218,58	20	3,03
107 238 00	38	239,0	230,69	20	3,39
107 240 00	40	251,3	242,81	20	3,72
107 242 00	42	264,5	254,93	25	4,10
107 244 00	44	276,5	267,04	25	4,68
107 245 00	45	282,5	273,10	25	4,81
107 246 00	46	287,9	279,16	25	4,86
107 247 00	47	294,2	285,21	25	5,28
107 248 00	48	300,1	291,27	25	5,37
107 250 00	50	312,3	303,39	25	5,95
107 254 00	54	336,6	327,64	25	7,00
107 257 00	57	355,4	345,81	25	7,76
107 260 00	60	373,0	363,99	25	8,37
107 265 00	65	403,2	394,29	25	10,13
107 270 00	70	433,6	424,60	30	11,84
107 272 00	72	447,0	436,74	30	12,67
107 276 00	76	469,9	460,99	30	14,14
107 280 00	80	494,2	485,22	30	14,79
107 283 00	95	585,1	576,17	30	25,00

**Bolt-on hubs for
plate wheels page 96**

