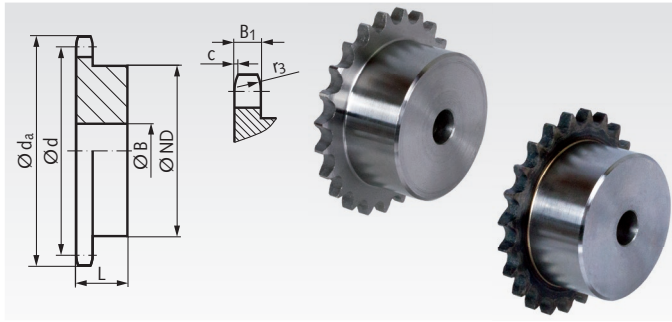


Sprockets with One-Sided Hub, ISO 10 B-1



Material: Steel C45, optionally hardened.
Pre-bored. Sprockets marked with * from grey cast iron GG25.
Type KRS: Not hardened.
Type KRG: Teeth induction hardened (approx. HRC 50).

Ordering Details: e.g.: Product No. 106 108 00, KRS, ISO 10 B-1, 8 Teeth

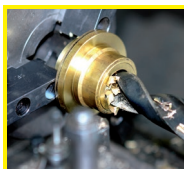
ISO 10 B-1, Pitch 5/8 x 3/8" KRS and KRG

$B_1 = 9.1$ mm, $c = 1.6$ mm, $r_3 = 16$ mm

Product No. Type KRS	Product No. Type KRG	Number of teeth	d_a mm	d mm	ND mm	B mm	L mm	Weight kg
106 108 00	106 881 08	8	47,0	41,48	25	10	25	0,12
106 109 00	106 881 09	9	52,6	46,42	30	10	25	0,17
106 110 00	106 881 10	10	57,5	51,37	35	10	25	0,23
106 111 00	106 881 11	11	63,0	56,34	37	12	30	0,30
106 112 00	106 881 12	12	68,0	61,34	42	12	30	0,38
106 113 00	106 881 13	13	73,0	66,32	47	12	30	0,47
106 114 00	106 881 14	14	78,0	71,34	52	12	30	0,57
106 115 00	106 881 15	15	83,0	76,36	57	12	30	0,68
106 116 00	106 881 16	16	88,0	81,37	60	12	30	0,76
106 117 00	106 881 17	17	93,0	86,39	60	12	30	0,81
106 118 00	106 881 18	18	98,3	91,42	70	14	30	1,02
106 119 00	106 881 19	19	103,3	96,45	70	14	30	1,07
106 120 00	106 881 20	20	108,4	101,49	75	14	30	1,22
106 121 00	106 881 21	21	113,4	106,52	75	16	30	1,25
106 122 00	106 881 22	22	118,0	111,55	80	16	30	1,40
106 123 00	106 881 23	23	123,4	116,58	80	16	30	1,47
106 124 00	106 881 24	24	128,3	121,62	80	16	30	1,53
106 125 00	106 881 25	25	134,0	126,66	80	16	30	1,59
106 126 00	106 881 26	26	139,0	131,70	85	20	35	1,97
106 127 00	106 881 27	27	144,0	136,75	85	20	35	2,05
106 128 00	106 881 28	28	148,7	141,78	90	20	35	2,24
106 130 00	106 881 30	30	158,8	151,87	90	20	35	2,43
106 132 00	-	32	168,9	161,95	95	20	35	2,73
106 134 00	-	34	179,0	172,05	95	20	35	2,90
106 135 00	-	35	184,1	177,10	95	20	35	2,98
106 136 00	-	36	189,1	182,15	100	20	35	3,25
106 138 00	-	38	199,2	192,24	100	20	35	3,47
106 140 00	-	40	209,3	202,34	100	20	35	3,63
106 145 00*	-	45	235,0	227,58	80	24	40	3,05
106 157 00*	-	57	296,0	288,18	90	24	45	4,25
106 176 00*	-	76	392,1	384,16	90	24	50	6,39
106 183 00*	-	95	488,5	480,14	100	24	56	9,66
106 188 00*	-	114	584,1	576,13	100	24	56	13,49

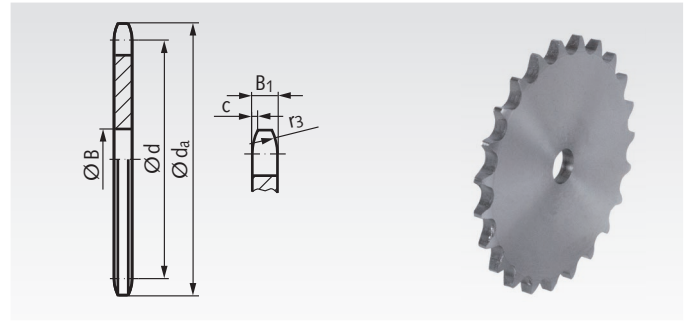


Sprockets marked with * are made from grey cast iron GG25.



**Reworking within
24h-service possible.
Custom made parts
on request.**

Plate wheels KRL, ISO 10 B-1



Material: Low-carbon steel, not hardable.
Pre-bored.

Type KRL: Without hub, not hardened.

Ordering Details: e.g.: Product No. 106 208 00, KRL, ISO 10 B-1, 8 Teeth

ISO 10 B-1, Pitch 5/8 x 3/8" KRL

$B_1 = 9.1$ mm, $c = 1.6$ mm, $r_3 = 16$ mm

Product No. Type KRL	Number of teeth	d_a mm	d mm	B mm	Weight kg
106 208 00	8	47,0	41,48	10	0,07
106 209 00	9	52,6	46,42	10	0,09
106 210 00	10	57,7	51,37	10	0,11
106 211 00	11	63,0	56,34	10	0,14
106 212 00	12	68,0	61,34	10	0,17
106 213 00	13	73,0	66,32	10	0,20
106 214 00	14	78,0	71,34	12	0,23
106 215 00	15	83,0	76,36	12	0,27
106 216 00	16	88,0	81,37	12	0,32
106 217 00	17	93,0	86,38	12	0,35
106 218 00	18	98,3	91,42	12	0,40
106 219 00	19	103,3	96,45	12	0,44
106 220 00	20	108,4	101,49	12	0,50
106 221 00	21	113,4	106,52	12	0,56
106 222 00	22	118,0	111,55	12	0,62
106 223 00	23	123,5	116,58	12	0,67
106 224 00	24	128,3	121,62	12	0,72
106 225 00	25	134,0	126,66	12	0,78
106 226 00	26	139,0	131,70	16	0,87
106 227 00	27	144,0	136,75	16	0,95
106 228 00	28	148,7	141,78	16	1,01
106 229 00	29	153,8	146,83	16	1,13
106 230 00	30	158,8	151,87	16	1,15
106 232 00	32	168,9	161,95	16	1,32
106 234 00	34	179,0	172,05	16	1,53
106 235 00	35	184,1	177,10	16	1,61
106 236 00	36	189,1	182,15	20	1,70
106 238 00	38	199,2	192,24	20	1,87
106 240 00	40	209,3	202,34	20	2,13
106 242 00	42	219,9	212,44	20	2,36
106 244 00	44	230,0	222,53	20	2,57
106 245 00	45	235,0	227,58	20	2,68
106 246 00	46	240,1	232,63	20	2,78
106 248 00	48	250,2	242,73	20	3,01
106 250 00	50	260,3	252,82	20	3,38
106 254 00	54	280,5	273,03	20	3,96
106 257 00	57	296,0	288,18	25	4,34
106 260 00	60	310,8	303,32	25	4,90
106 265 00	65	336,5	328,58	25	5,83
106 270 00	70	361,8	353,84	25	6,76
106 272 00	72	371,9	363,95	25	7,11
106 275 00	75	386,6	379,10	25	7,70
106 276 00	76	392,1	384,16	25	7,77
106 280 00	80	412,3	404,35	25	9,03
106 283 00	95	488,5	480,14	30	12,53
106 288 00	114	584,1	576,13	30	21,00