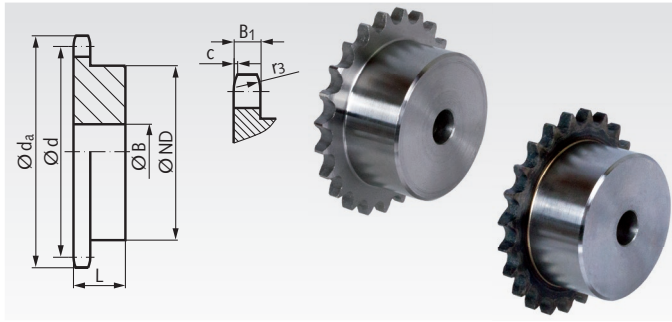


Sprockets with One-Sided Hub, ISO 06 B-1



Material: Steel C45, optionally hardened.
Pre-bored. Sprockets marked with * from grey cast iron GG25.

Type KRS: Not hardened.

Type KRK: Teeth induction hardened (approx. HRC 50).

Ordering Details: e.g.: Product No. 101 108 00, KRS, ISO 06 B-1, 8 Teeth

ISO 06 B-1, Pitch 3/8 x 7/32" KRS and KRK

$B_1 = 5.3$ mm, $c = 1.0$ mm, $r_3 = 10$ mm

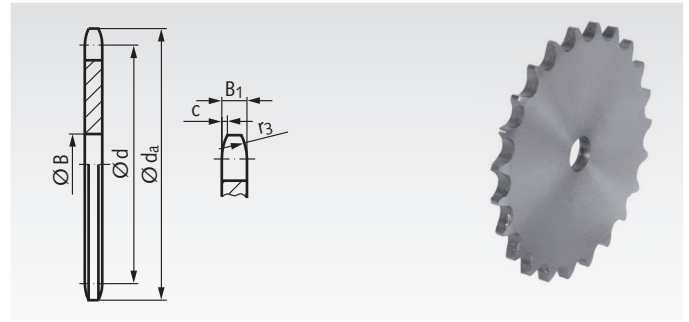
Product No. Type KRS	Product No. Type KRK	Number of teeth	d_a mm	d mm	ND mm	B mm	L mm	Weight g
101 108 00	101 881 08	8	28,0	24,89	15	8	22	34
101 109 00	101 881 09	9	31,0	27,85	18	8	22	43
101 110 00	101 881 10	10	34,0	30,82	20	8	22	58
101 111 00	101 881 11	11	37,0	33,80	22	8	25	79
101 112 00	101 881 12	12	40,0	36,80	25	8	25	101
101 113 00	101 881 13	13	43,0	39,79	28	10	25	123
101 114 00	101 881 14	14	46,3	42,80	31	10	25	152
101 115 00	101 881 15	15	49,3	45,81	34	10	25	184
101 116 00	101 881 16	16	52,3	48,82	37	10	28	141
101 117 00	101 881 17	17	55,3	51,83	40	10	28	285
101 118 00	101 881 18	18	58,3	54,85	43	10	28	230
101 119 00	101 881 19	19	61,3	57,87	45	10	28	364
101 120 00	101 881 20	20	64,3	60,89	46	10	28	389
101 121 00	101 881 21	21	68,0	63,91	48	12	28	416
101 122 00	101 881 22	22	71,0	66,93	50	12	28	456
101 123 00	101 881 23	23	73,5	69,95	52	12	28	494
101 124 00	101 881 24	24	77,0	72,97	54	12	28	544
101 125 00	101 881 25	25	80,0	76,00	57	12	28	592
101 126 00	101 881 26	26	83,0	79,02	60	12	28	666
101 127 00	101 881 27	27	86,0	82,05	60	12	28	680
101 128 00	101 881 28	28	89,0	85,07	60	12	28	694
101 130 00	101 881 30	30	94,7	91,12	60	12	30	767
101 132 00	101 881 32	32	101,3	97,17	65	14	30	890
101 135 00	101 881 35	35	110,4	106,26	65	14	30	948
101 136 00	101 881 36	36	113,4	109,29	70	16	30	1024
101 138 00	101 881 38	38	119,5	115,35	70	16	30	1109
101 140 00	101 881 40	40	125,5	121,40	70	16	30	1160
101 145 00*	-	45	140,7	136,55	70	20	32	1245
101 157 00*	-	57	176,9	172,91	70	20	32	1462
101 176 00*	-	76	234,9	230,49	70	20	32	2177
101 183 00*	-	95	292,5	288,08	80	20	40	3488
101 188 00*	-	114	349,6	345,68	80	20	40	4244



Sprockets marked with * are made from grey cast iron GG25.

Sprockets made from stainless steel page 63.
Sprockets ready-to-mount page 65.
Sprockets for Taper clamping bushes page 82.

Plate wheels KRL, ISO 06 B-1



Material: Low-carbon steel, not hardable.
Pre-bored.

Type KRL: Without hub, not hardened.

Ordering Details: e.g.: Product No. 101 208 00, KRL, ISO 06 B-1, 8 Teeth

ISO 06 B-1, Pitch 3/8 x 7/32" KRL

$B_1 = 5.3$ mm, $c = 1.0$ mm, $r_3 = 10$ mm

Product No. Type KRL	Number of teeth	d_a mm	d mm	B mm	Weight g
101 208 00	8	28,0	24,89	6	14
101 209 00	9	31,0	27,85	8	17
101 210 00	10	34,0	30,82	8	23
101 211 00	11	37,0	33,80	8	28
101 212 00	12	40,0	36,80	8	32
101 213 00	13	43,0	39,79	8	39
101 214 00	14	46,3	42,80	8	46
101 215 00	15	49,3	45,81	8	53
101 216 00	16	52,3	48,82	10	62
101 217 00	17	55,3	51,83	10	72
101 218 00	18	58,3	54,85	10	79
101 219 00	19	61,3	57,87	10	89
101 220 00	20	64,3	60,89	10	101
101 221 00	21	68,0	63,91	10	111
101 222 00	22	71,0	66,93	10	123
101 223 00	23	73,5	69,95	10	140
101 224 00	24	77,0	72,97	10	151
101 225 00	25	80,0	76,02	10	160
101 226 00	26	83,0	79,02	10	175
101 227 00	27	86,0	82,05	10	188
101 228 00	28	89,0	85,07	10	202
101 230 00	30	94,7	91,12	10	235
101 232 00	32	101,3	97,17	12	267
101 235 00	35	110,4	106,26	12	326
101 236 00	36	113,4	109,29	12	351
101 238 00	38	119,5	115,35	12	393
101 240 00	40	125,5	121,40	12	422
101 242 00	42	131,6	127,46	16	461
101 244 00	44	137,6	133,52	16	515
101 245 00	45	140,7	136,55	16	534
101 248 00	48	149,7	145,64	16	653
101 250 00	50	155,7	151,69	20	680
101 254 00	54	167,8	163,82	20	842
101 257 00	57	176,9	172,91	20	863
101 260 00	60	186,0	181,99	20	1010
101 265 00	65	201,6	197,15	20	1108
101 270 00	70	216,7	212,30	20	1326
101 272 00	72	222,8	218,37	20	1386
101 276 00	76	234,9	230,49	20	1555
101 280 00	80	247,1	242,61	20	1758
101 283 00	95	292,5	288,08	25	2400
101 288 00	114	349,5	345,68	25	4923



**Reworking within
24h-service possible.
Custom made parts
on request.**