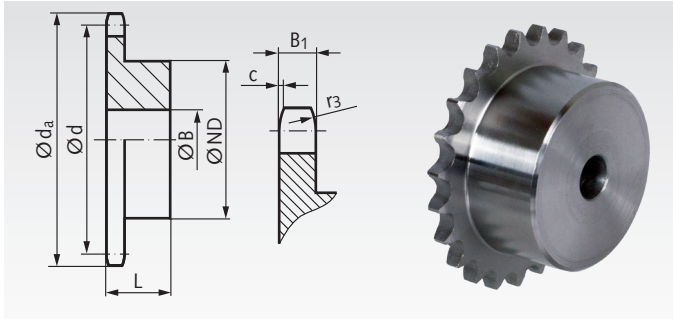


## Sprockets KRS with One-Sided Hub, Pitch 4 mm and ISO 03 Pitch 5 mm



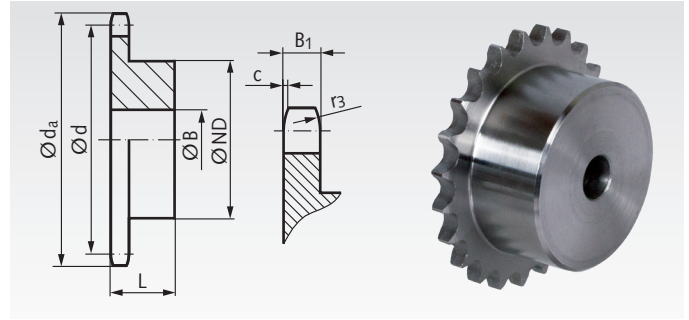
**Material:** Low-carbon steel, not hardable.  
Pre-bored.

Ordering Details: e.g.: Product No. 100 012 00, KRS, Pitch 4 mm, 12 Teeth

### Pitch 4 mm

$B_1 = 2.45$  mm,  $c = 0.33$  mm,  $r_3 = 3.75$  mm

Product No.	Number of teeth	$d_a$ mm	$d$ mm	ND mm	B mm	L mm	Weight g
100 012 00	12	16,9	15,45	10	5	11	8
100 013 00	13	18,2	16,71	11	5	12	8
100 014 00	14	19,5	17,98	12,5	5	12	11
100 015 00	15	20,8	19,24	13,5	5	12	14
100 017 00	17	23,4	21,77	16	5	12	19
100 019 00	19	26,0	24,30	18	8	12	22
100 021 00	21	28,5	26,84	20	8	12	28
100 023 00	23	31,1	29,38	22	8	14	41
100 024 00	24	32,4	30,65	25	8	14	51
100 025 00	25	33,7	31,94	25	8	14	52
100 030 00	30	40,1	38,27	28	8	14	71
100 038 00	38	50,3	48,44	32	8	16	112
100 045 00	45	59,2	57,34	38	8	16	161
100 057 00	57	74,5	72,61	50	8	16	276
100 076 00	76	98,7	96,79	63	8	18	508
100 083 00	95	122,9	121,00	63	10	18	582



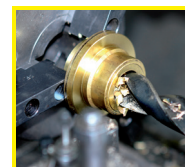
**Material:** Low-carbon steel, not hardable.  
Pre-bored.

Ordering Details: e.g.: Product No. 100 308 00, KRS, ISO 03, 8 Teeth

### ISO 03, Pitch 5 mm

$B_1 = 2.3$  mm,  $c = 0.5$  mm,  $r_3 = 5$  mm

Product No.	Number of teeth	$d_a$ mm	$d$ mm	ND mm	B mm	L mm	Weight g
100 308 00	8	15,2	13,06	7	4	10	4
100 309 00	9	16,8	14,62	8	5	10	4
100 310 00	10	18,3	16,18	9	5	10	5
100 311 00	11	19,8	17,75	11	6	10	6
100 312 00	12	21,4	19,32	12	6	10	8
100 313 00	13	22,9	20,89	14	6	10	11
100 314 00	14	24,5	22,47	15	6	10	14
100 315 00	15	26,1	24,04	16	6	10	16
100 316 00	16	27,8	25,63	18	8	13	20
100 317 00	17	29,3	27,20	18	8	13	24
100 318 00	18	30,9	28,79	18	8	13	26
100 319 00	19	32,5	30,38	18	8	13	27
100 320 00	20	34,1	31,96	18	8	13	31
100 321 00	21	35,7	33,54	20	8	13	36
100 322 00	22	37,3	35,13	20	8	13	37
100 323 00	23	38,9	36,72	20	8	13	38
100 324 00	24	40,5	38,30	20	8	13	40
100 325 00	25	42,1	39,89	20	8	13	41
100 326 00	26	43,6	41,48	25	8	15	47
100 327 00	27	45,2	43,07	25	8	15	53
100 328 00	28	46,8	44,65	25	8	15	59
100 329 00	29	48,4	46,25	25	8	15	66
100 330 00	30	50,1	47,83	25	8	15	72
100 331 00	31	51,6	49,42	30	8	15	77
100 332 00	32	53,2	51,01	30	8	15	82
100 333 00	33	54,8	52,60	30	8	15	87
100 334 00	34	56,3	54,19	30	8	15	92
100 335 00	35	57,9	55,78	30	8	15	97
100 336 00	36	59,5	57,37	30	8	15	102
100 337 00	37	61,1	58,96	30	8	15	107
100 338 00	38	62,8	60,54	30	8	15	112
100 339 00	39	64,3	62,13	30	8	15	125
100 340 00	40	65,9	63,73	30	8	15	140
100 345 00	45	74,0	71,68	55	10	16	312
100 357 00	57	93,1	90,76	63	12	16	422



**Reworking within  
24h-service possible.  
Custom made parts  
on request.**