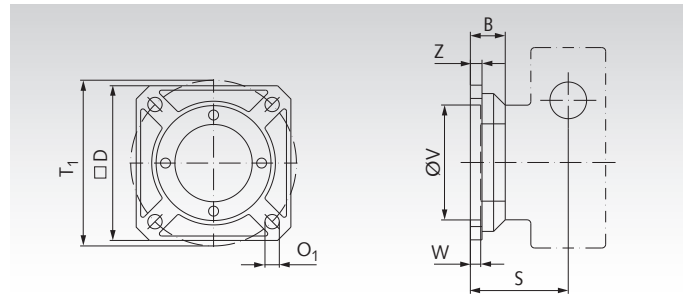
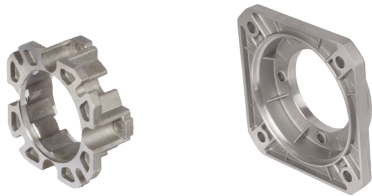


Accessories Worm Geared Motors HMD/II

Output-side Flanges HMD/II, square

Material: Aluminium.

Square flange with fixing screws for retrofitting.



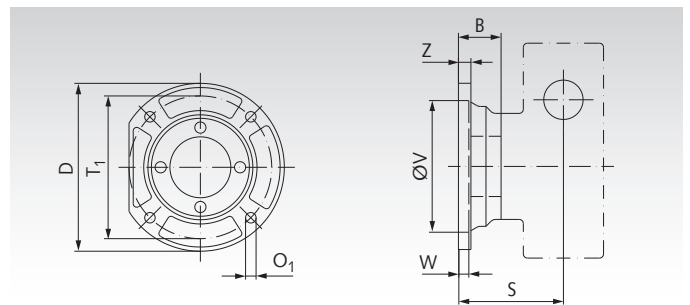
Ordering Details: e.g.: Product No. 439 033 00, Output-Side Flange, 70 x 70 mm

Product No.	Gearbox Size	D mm	B mm	O1 mm	S mm	T1 mm	V mm	W mm	Z mm	Screws Amount x size	Weight kg
439 033 00	030	70	25,5	6,5	54,5	68	50	4	6	4 x M6	0,11
439 043 00	045	95	30,5	9	67	75	60	4	7	4 x M6	0,20
439 053 00	050	110	46,5	11	90	85	70	5	9	4 x M8	0,40
439 063 00	063	142	33,0	11	86	150	115	6	12	4 x M8	0,60

Output-side Flanges HMD/II, round

Material: Aluminium.

Round flange with fixing screws for retrofitting.



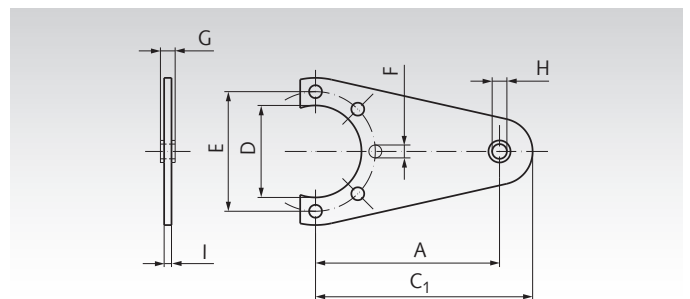
Ordering Details: e.g.: Product No. 439 044 00, Output-Side Flange, Ø 140 mm.

Product No.	Gearbox Size	D mm	B mm	O1 mm	S mm	T1 mm	V mm	W mm	Z mm	Screws Amount x Size	Weight kg
439 044 00	045	140	43,5	9,5	80	115	95	5	9	4 x M6	0,20
439 054 00	050	160	45,5	9,5	89	130	110	5	10	4 x M8	0,40
439 064 00	063	200	57,0	13,0	110	165	130	7	13	4 x M8	0,60
439 084 00	085	200	53,5	11,5	117,5	165	130	5	13	4 x M10	0,88

Torque Arms HMD/II

Material: Steel sheet, zinc-plated.

Torque arm with mounting screws for retrofitting. The position can be changed in steps of 90°.



Ordering Details: e.g.: Product No. 439 035 00, Torque Arm, Gearbox Size 030

Product No.	Gearbox Size	A mm	C1 mm	D mm	E mm	F mm	G mm	H mm	I mm	Screws Amount x Size	Weight kg
439 035 00	030	85	100	55	65	7	14	8	4	3 x M6	0,21
439 045 00	045	100	118	60	75	7	14	10	4	3 x M6	0,21
439 055 00	050	100	118	70	85	9	14	10	4	3 x M8	0,26
439 065 00	063	150	180	75	90	9	20	11	6	3 x M8	0,70
439 085 00	085	200	240	110	130	11	25	21	6	3 x M10	1,44