

Worm Geared Motors RM with Two-Stage Worm Gears

230/400V, 50Hz, IP54, isolation class F, can also be connected to alternating current using an operating capacitor.

Efficiency class:

90 Watt: IE1

120 Watt: IE2

General data page 771.

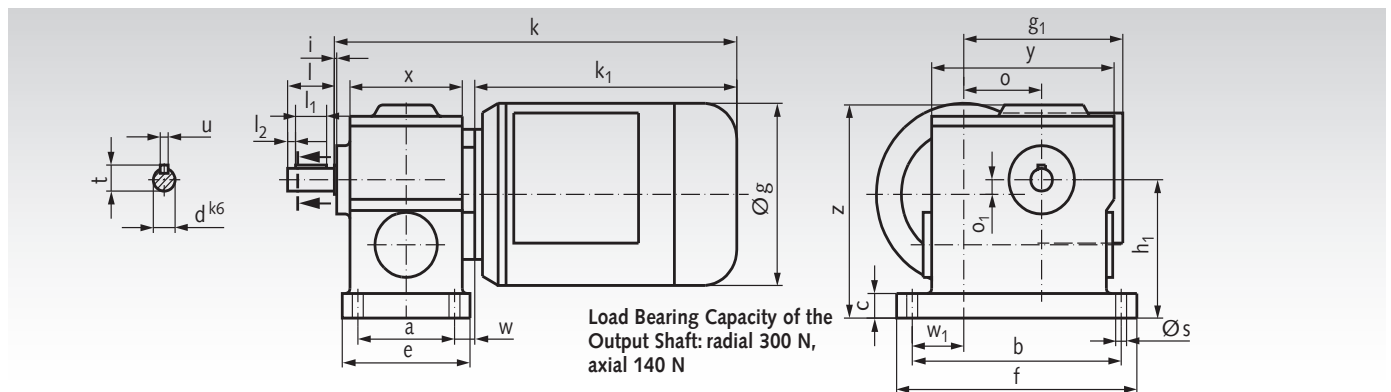
Motor and gearbox with roller bearing.

Worms hardened and ground.

Worm gears made from special brass.



Ordering details: Type, Voltage/Frequency, possibly Operating Capacitor, Motor Data, Ratio, Product No.



| a | b | c | e | f | h ₁ | s | w | w ₁ | g | g ₁ | k | k ₁ | o | o ₁ | x | y | z | d | i | l | l ₁ | l ₂ | t | u |
|----|-----|----|----|-----|----------------|-----|----|----------------|-----|----------------|-----|----------------|----|----------------|----|-----|-----|----|-----|----|----------------|----------------|----|---|
| 62 | 134 | 15 | 82 | 154 | 85 | 6,6 | 13 | 33 | 112 | 102 | 258 | 168 | 50 | 9 | 72 | 117 | 131 | 14 | 1,5 | 30 | 20 | 5 | 16 | 5 |

Dimensions without stated tolerances are non-binding!

Motor Data 90 Watt, 1400 min⁻¹, ca. 0.45 A at 400 Volt

| Product No. | Output-Speed min ⁻¹ | Ratio i = | Permiss. Torque at the Output Shaft Nm | Weight kg | Product No. Operating Capacitor 10μF |
|-------------|-----------------------------------|--------------|--|--------------|--|
| 434 08 050 | 28 | 50 : 1 | 18 | 5,7 | 436 359 00 |
| 434 08 100 | 14 | 100 : 1 | 32 | 5,7 | 436 359 00 |
| 434 08 200 | 7 | 200 : 1 | 35* | 5,7 | 436 359 00 |
| 434 08 300 | 4,7 | 300 : 1 | 36* | 5,7 | 436 359 00 |
| 434 08 380 | 3,7 | 380 : 1 | 35* | 5,7 | 436 359 00 |
| 434 08 500 | 2,8 | 500 : 1 | 35* | 5,7 | 436 359 00 |
| 434 08 750 | 1,9 | 750 : 1 | 36* | 5,7 | 436 359 00 |
| 434 08 988 | 1,2 | 1140 : 1 | 36* | 5,7 | 436 359 00 |
| 434 08 992 | 0,9 | 1500 : 1 | 36* | 5,7 | 436 359 00 |
| 434 08 996 | 0,6 | 2250 : 1 | 36* | 5,7 | 436 359 00 |

* Stability related max. torque.

Motor Data 120 Watt, 2800 min⁻¹, ca. 0.5 A at 400 Volt

| Product No. | Output-Speed min ⁻¹ | Ratio i = | Permiss. Torque at the Output Shaft Nm | Weight kg | Product No. Operating Capacitor 16μF |
|-------------|-----------------------------------|--------------|--|--------------|--|
| 434 09 050 | 56 | 50 : 1 | 13 | 5,7 | 436 361 00 |
| 434 09 100 | 28 | 100 : 1 | 23 | 5,7 | 436 361 00 |
| 434 09 200 | 14 | 200 : 1 | 35* | 5,7 | 436 361 00 |
| 434 09 300 | 9,3 | 300 : 1 | 36* | 5,7 | 436 361 00 |
| 434 09 380 | 7,4 | 380 : 1 | 35* | 5,7 | 436 361 00 |
| 434 09 500 | 5,6 | 500 : 1 | 35* | 5,7 | 436 361 00 |
| 434 09 750 | 3,7 | 750 : 1 | 36* | 5,7 | 436 361 00 |
| 434 09 988 | 2,5 | 1140 : 1 | 36* | 5,7 | 436 361 00 |
| 434 09 992 | 1,9 | 1500 : 1 | 36* | 5,7 | 436 361 00 |
| 434 09 996 | 1,2 | 2250 : 1 | 36* | 5,7 | 436 361 00 |

* Stability related max. torque.

Frequency Inverters
Page 744

