

Helical Worm Geared Motors SRS

230/400V, 50Hz, IP54, isolation class F, can also be connected to alternating current using an operating capacitor.

Efficiency class:

90 Watt: IE1

120 Watt: IE2

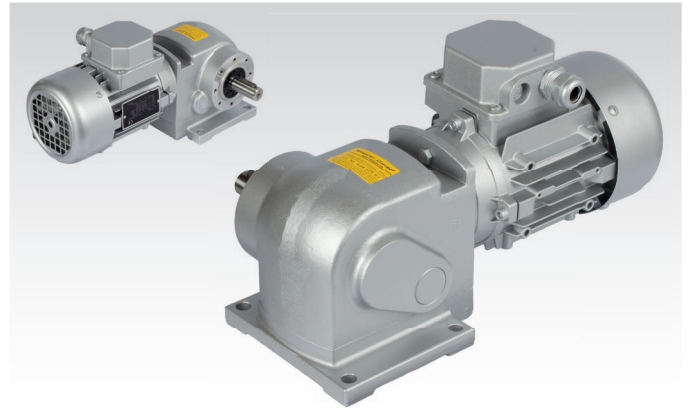
General data page 771.

Motor and gear shaft with roller bearing.

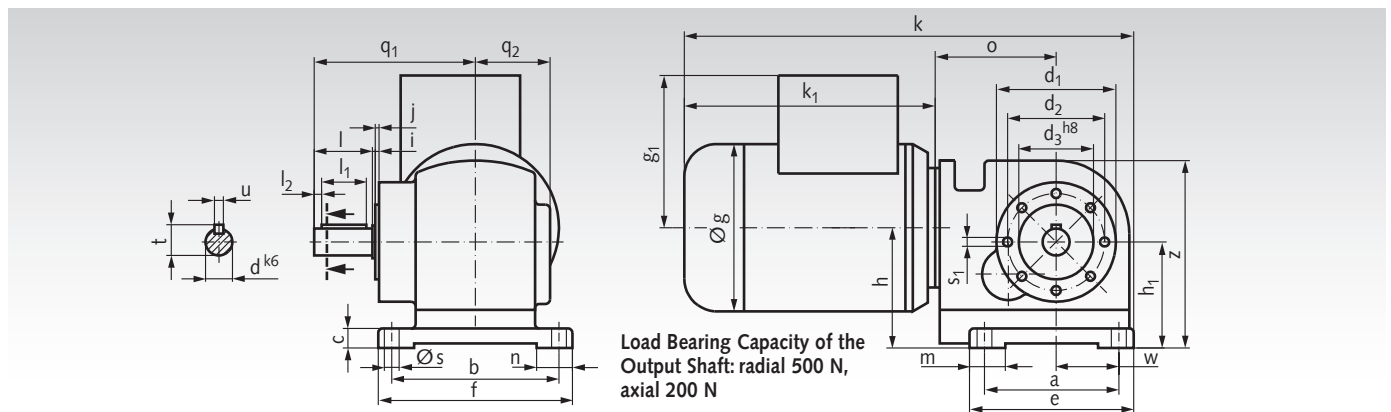
1st stage: Worms hardened and ground,

Worm gears special brass.

2nd stage: Helical gear set hardened and ground.



Ordering details: Type, Voltage/Frequency, possibl. Operating Capacitor, Motor Data, Ratio, Product No.



a	b	c	d ₁	d ₂	d ₃	e	f	h	h ₁	j	m	n	s	s ₁	w	g	g ₁	k	k ₁	o	q ₁	q ₂	z	d	i	l	l ₁	l ₂	t	u
90	112	13	80	65	50	110	130	80,5	70,9	2,5	24	24	10	M5	42	112	102	301	168	81	108	50	125,5	18	0,8	40	30	5	20,5	6

Dimensions without stated tolerances are non-binding!

Motor Data 90 Watt, 1400 min⁻¹, ca. 0.45 A at 400 Volt

Product No.	Output-Speed min ⁻¹	Ratio i =	Permiss. Torque at the Output Shaft Nm	Weight kg	Product No. Operating Capacitor 10µF
434 55 015	95	15 : 1	7,2	6,6	436 359 00
434 55 030	47	30 : 1	14	6,6	436 359 00
434 55 041	34	41 : 1	19	6,6	436 359 00
434 55 059	24	59 : 1	24	6,6	436 359 00
434 55 071	20	71 : 1	29	6,6	436 359 00
434 55 089	16	89 : 1	34	6,6	436 359 00
434 55 106	13	106 : 1	38	6,6	436 359 00
434 55 142	10	142 : 1	41	6,6	436 359 00
434 55 177	7,9	177 : 1	50*	6,6	436 359 00
434 55 295	4,7	295 : 1	50*	6,6	436 359 00
434 55 443	3,2	443 : 1	50*	6,6	436 359 00
434 55 591	2,4	591 : 1	50*	6,6	436 359 00

* Stability related max. torque.

Motor Data 120 Watt, 2800 min⁻¹, ca. 0.5 A at 400 Volt

Product No.	Output-Speed min ⁻¹	Ratio i =	Permiss. Torque at the Output Shaft Nm	Weight kg	Product No. Operating Capacitor 16µF
434 56 015	190	15 : 1	4,9	6,6	436 361 00
434 56 030	95	30 : 1	9,4	6,6	436 361 00
434 56 041	68	41 : 1	13	6,6	436 361 00
434 56 059	47	59 : 1	17	6,6	436 361 00
434 56 071	39	71 : 1	20	6,6	436 361 00
434 56 089	32	89 : 1	24	6,6	436 361 00
434 56 106	26	106 : 1	27	6,6	436 361 00
434 56 142	20	142 : 1	30	6,6	436 361 00
434 56 177	16	177 : 1	37	6,6	436 361 00
434 56 295	9,5	295 : 1	46	6,6	436 361 00
434 56 443	6,3	443 : 1	50*	6,6	436 361 00
434 56 591	4,7	591 : 1	50*	6,6	436 361 00

* Stability related max. torque.