

Worm Geared Motors RH with One-Stage Worm Gears and Hollow Shafts

230/400V, 50Hz, IP54, isolation class F, can also be connected to alternating current using an operating capacitor.

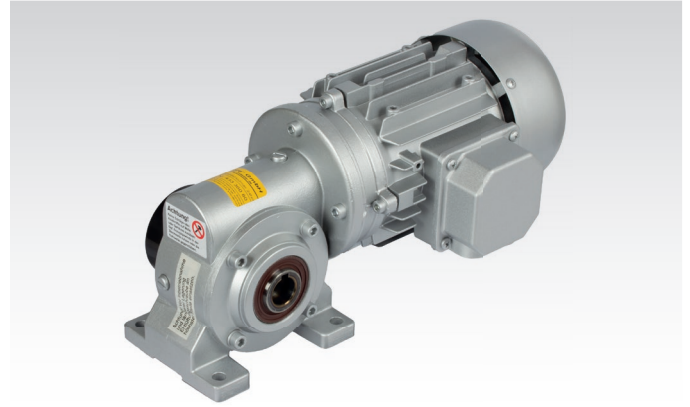
Efficiency class IE2.

General data page 771.

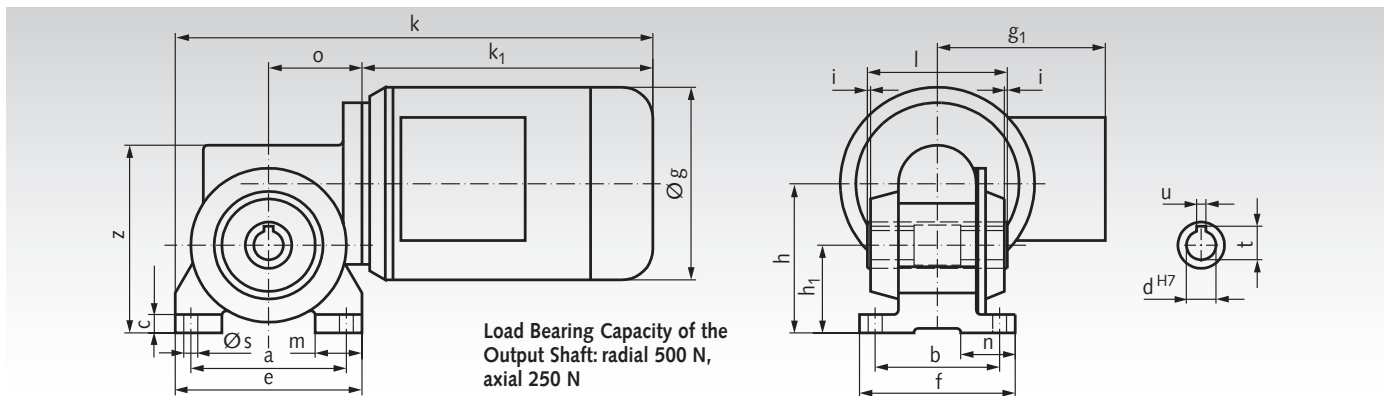
Motor and gearbox with roller bearing.

Worms hardened and ground.

Worm gears made from special brass.



Ordering details: Type, Voltage/Frequency, possibl. Operating Capacitor, Motor Data, Ratio, Product No.



Power Watt	a mm	b mm	c mm	e mm	f mm	h mm	h ₁ mm	m mm	n mm	s mm	g mm	g ₁ mm	k mm	k ₁ mm	o mm	z mm	d mm	i mm	l mm	t mm	u mm
180	100	80	12	120	100	97	57	30	35	9	125	108	307	187	60	122	19	2	90	21,8	6
250	100	80	12	120	100	97	57	30	35	9	140	114	327	207	60	122	19	2	90	21,8	6

Hollow shaft centre 30mm relieved!

Dimensions without stated tolerances are non-binding!

Motor Data 180 Watt, 1400 min⁻¹, ca. 0.7 A at 400 Volt

Product No.	Output-Speed min ⁻¹	Ratio i =	Permiss. Torque at the Output Shaft Nm	Weight kg	Product No. Operating Capacitor 20µF
433 36 007	207	7 : 1	6,5	6,9	436 362 00
433 36 008	175	8 : 1	7,4	6,9	436 362 00
433 36 010	140	10 : 1	9,1	6,9	436 362 00
433 36 012	117	12 : 1	10	6,9	436 362 00
433 36 015	93	15 : 1	12	6,9	436 362 00
433 36 020	70	20 : 1	15	6,9	436 362 00
433 36 025	56	25 : 1	17	6,9	436 362 00
433 36 030	47	30 : 1	20	6,9	436 362 00
433 36 040	35	40 : 1	23	6,9	436 362 00
433 36 050	28	50 : 1	27	6,9	436 362 00
433 36 060	23	60 : 1	21	6,9	436 362 00
433 36 080	18	80 : 1	24*	6,9	436 362 00

* Stability related max. torque.

Motor Data 250 Watt, 1400 min⁻¹, ca. 0.8 A at 400 Volt

Product No.	Output-Speed min ⁻¹	Ratio i =	Permiss. Torque at the Output Shaft Nm	Weight kg	Product No. Operating Capacitor 25µF
433 37 007	207	7 : 1	9	8,2	436 363 00
433 37 008	175	8 : 1	10	8,2	436 363 00
433 37 010	140	10 : 1	13	8,2	436 363 00
433 37 012	117	12 : 1	14	8,2	436 363 00
433 37 015	93	15 : 1	17	8,2	436 363 00
433 37 020	70	20 : 1	21	8,2	436 363 00
433 37 025	56	25 : 1	23	8,2	436 363 00
433 37 030	47	30 : 1	27	8,2	436 363 00
433 37 040	35	40 : 1	31	8,2	436 363 00
433 37 050	28	50 : 1	32*	8,2	436 363 00
433 37 060	23	60 : 1	23*	8,2	436 363 00
433 37 080	18	80 : 1	24*	8,2	436 363 00

* Stability related max. torque.

Frequency Inverters
Page 744

