

## Helical Worm Geared Motors SRM

230/400V, 50Hz, IP54, isolation class F, can also be connected to alternating current using an operating capacitor.

### Efficiency class:

90 Watt: IE1

120 Watt: IE2

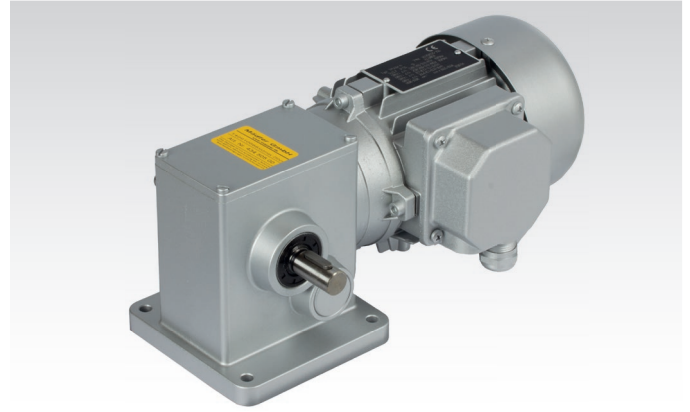
General data page 771.

Motor and gearbox with roller bearing.

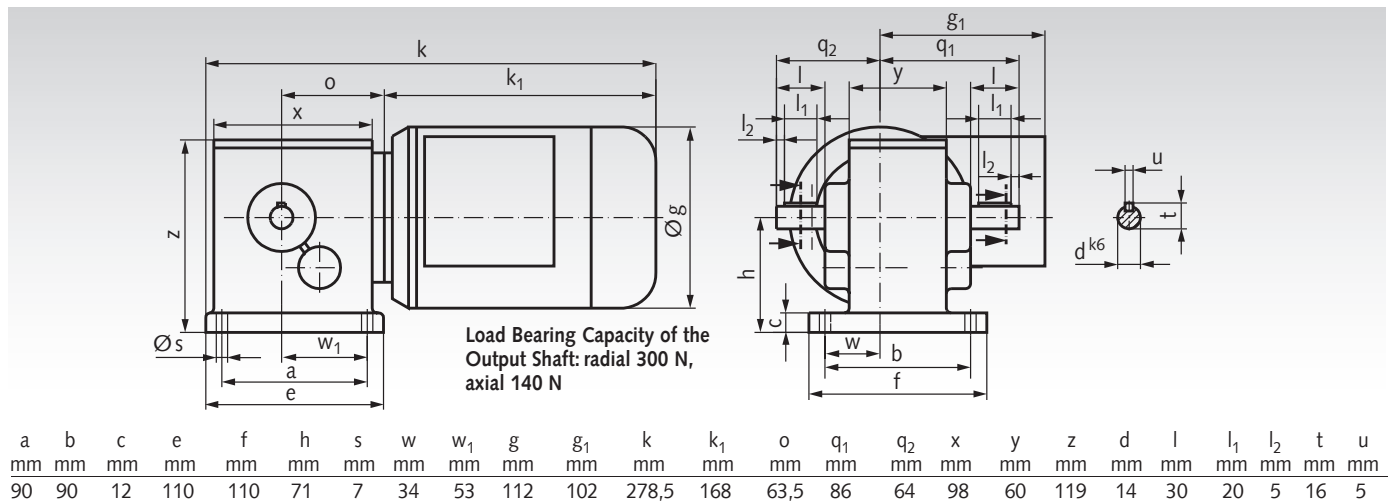
1st stage: Worms hardened and ground,

Worm gears special brass.

2nd stage: Helical gear set hardened and ground.



Ordering details: Type, Voltage/Frequency, poss. Operating Capacitor, Motor Data, Ratio, Product No.



Dimensions without stated tolerances are non-binding!

### Motor Data 90 Watt, 1400 min<sup>-1</sup>, ca. 0.45 A at 400 Volt

Product No.	Output-Speed min <sup>-1</sup>	Ratio i =	Permiss. Torque at the Output Shaft Nm	Weight kg	Product No. Operating Capacitor 10μF
434 50 012	112	12,5 : 1	6,1	5,2	436 359 00
434 50 021	65	21 : 1	10	5,2	436 359 00
434 50 025	56	25 : 1	12	5,2	436 359 00
434 50 035	40	35 : 1	16	5,2	436 359 00
434 50 060	23	60 : 1	24	5,2	436 359 00
434 50 090	16	90 : 1	25*	5,2	436 359 00
434 50 100	14	100 : 1	25*	5,2	436 359 00
434 50 120	12	120 : 1	25*	5,2	436 359 00
434 50 150	9,3	150 : 1	25*	5,2	436 359 00
434 50 190	7,4	190 : 1	25*	5,2	436 359 00
434 50 375	3,7	375 : 1	25*	5,2	436 359 00
434 50 500	2,8	500 : 1	25*	5,2	436 359 00

\* Stability related max. torque.

### Motor Data 120 Watt, 2800 min<sup>-1</sup>, ca. 0.5 A at 400 Volt

Product No.	Output-Speed min <sup>-1</sup>	Ratio i =	Permiss. Torque at the Output Shaft Nm	Weight kg	Product No. Operating Capacitor 16μF
434 51 012	224	12,5 : 1	4,1	5,2	436 361 00
434 51 021	131	21 : 1	6,8	5,2	436 361 00
434 51 025	112	25 : 1	8	5,2	436 361 00
434 51 035	80	35 : 1	11	5,2	436 361 00
434 51 060	47	60 : 1	17	5,2	436 361 00
434 51 090	31	90 : 1	23	5,2	436 361 00
434 51 100	28	100 : 1	25*	5,2	436 361 00
434 51 120	23	120 : 1	25*	5,2	436 361 00
434 51 150	19	150 : 1	25*	5,2	436 361 00
434 51 190	15	190 : 1	25*	5,2	436 361 00
434 51 375	7,5	375 : 1	25*	5,2	436 361 00
434 51 500	5,6	500 : 1	25*	5,2	436 361 00

\* Stability related max. torque.

Frequency Inverters  
Page 744

