

Angle Joints DIN 71802, zinc-plated

Material: Steel zinc-plated. Ball stud hardened.

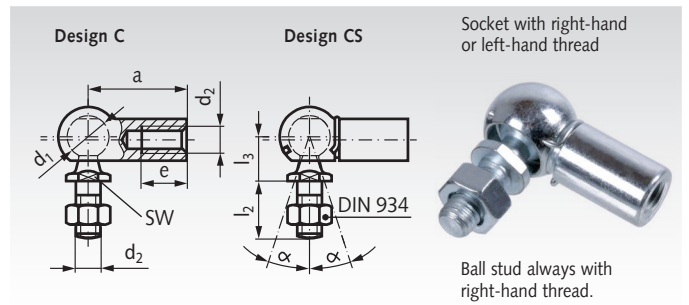
Form C: With threaded bolt and hexagon nut.

Form CS: With threaded bolt, hexagon nut and circlip.

Right = Right-hand thread in the socket.

Left = Left-hand thread in the socket, marked with a circumferential groove.

Ordering Details: e.g.: Product No. 636 405 00, Angle Joint DIN 71802, C 8, Right Hand



Product-No. C Righth	Product-No. CS Right	Product-No. C Left	Product-No. CS Left	$d_1^{H9/h9}$ mm	d_2 mm	SW ^{h14} mm	$a_{\pm 0,3}$ mm	e mm	$l_2_{\pm 0,3}$ mm	$l_3_{\pm 0,3}$ mm	α Degrees	CS* Degrees	Weight g
636 405 00	636 605 00	636 505 00	636 705 00	8	M5	7	22	10,2	10,2	9	18°	18°/10°	15,2
636 406 00	636 606 00	636 506 00	636 706 00	10	M6	8	25	11,5	12,5	11	18°	18°/15°	25,2
636 408 00	636 608 00	636 508 00	636 708 00	13	M8	11	30	14	16,5	13	18°	18°/15°	53,1
636 410 00	636 610 00	636 510 00	636 710 00	16	M10	13	35	15,5	20	16	18°	18°/15°	103,8
636 414 00	636 614 00	636 514 00	636 714 00	19	M14x1,5	16	45	21,5	28	20	18°	18°/15°	220,9

* Pivoting angle reduced by circlip.

Angle Joints DIN 71802, Stainless

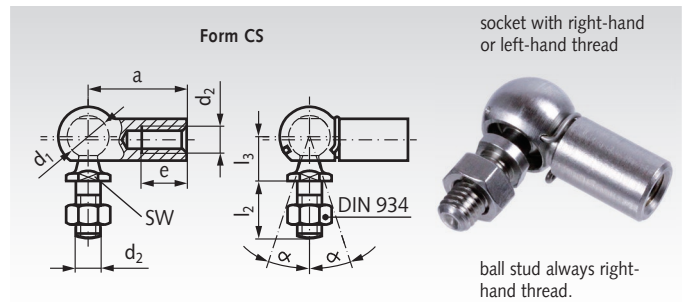
Material: Stainless steel 1.4301 (AISI 304).

Design CS: With threaded bolt, hexagon nut and circlip.

Right = Right-hand thread in the socket.

Left = Left-hand thread in the socket, marked with a circumferential groove.

Ordering Details: e.g.: Product No. 636 996 05, Angle Joint DIN 71802, CS 8, Right Hand, Stainless



Product-No. CS Righth	Product-No. CS Left	$d_1^{H9/h9}$ mm	d_2 mm	SW ^{h14} mm	$a_{\pm 0,3}$ mm	e mm	$l_2_{\pm 0,3}$ mm	$l_3_{\pm 0,3}$ mm	α^* Degrees	Weight g
636 996 05	636 997 05	8	M5	7	22	10,2	10,2	9	18°/10°	15,2
636 996 06	636 997 06	10	M6	8	25	11,5	12,5	11	18°/15°	25,2
636 996 08	636 997 08	13	M8	11	30	14	16,5	13	18°/15°	53,1
636 996 10	636 997 10	16	M10	13	35	15,5	20	16	18°/15°	103,8
636 996 14	636 997 14	19	M14x1,5	16	45	21,5	28	20	18°/15°	220,9

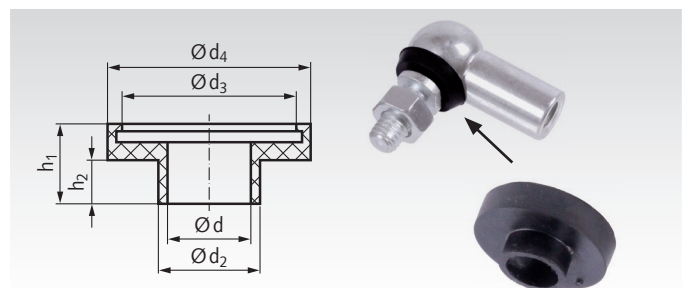
* Pivoting angle reduced by circlip.

Sealing Cap for Angle Joints DIN 71802

Material: Neoprene.

The sealing caps have delivered an optimal performance used with joints in very dirty or dusty environment. They also offer good protection against spray water and steam. Temperature range: -30°C to +110°C (short term 140°C).

Ordering Details: e.g.: Product No. 636 775 00, Sealing Cap for d_1 8 mm



Product No.	for d_1 DIN 71802 mm	d mm	d_2 mm	d_3 mm	d_4 mm	h_1 mm	h_2 mm	Weight p.% Pcs. g
636 775 00	8	4	5,4	9	11,5	4,5	1,5	32
636 776 00	10	5,5	6,9	10,5	13	6,5	3,5	44
636 778 00	13	7	8,6	14	17	7,5	3,5	86
636 780 00	16	9	10,5	17,5	22	8,5	4,5	116
636 782 00	19	11	12,6	21	25,5	12,5	7	215