

Heavy-Duty Rod Ends GT-R DIN ISO 12240-4 (DIN 648) Series K, Maintenance Free, Stainless Steel, Internal Thread

Material:

Rod End: Stainless steel 1.4057, AISI 431
(forged piece, size 40 machined).
Surface clear stained.

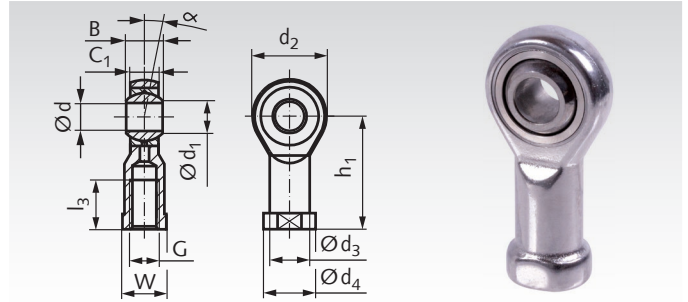


Ball: Stainless steel 1.4034 (AISI 440 C), hardened, all sides ground, bearing surface polished.

Bearing Shell: Stainless steel 1.4571 (AISI 316 Ti) with PTFE-lining.

Tolerances and load tables page 636 - 637.

IR = Internal Right-hand thread. IL = Internal Left-hand thread.



Ordering Details: e.g.: Product No. 632 996 05, Rod End GT-R, IR Stainless

Product No. IR	Product No. IL	d ^{H7} mm	B ^{-0.1} mm	C ₁ ^{±0.15} mm	d ₁ mm	d ₂ mm	d ₃ mm	d ₄ mm	h ₁ mm	l ₃ ^{-1.0} mm	Thread ISO DIN 13 6H G mm	W mm	Tilting angle α °	Weight g
632 996 05	632 997 05	5	8	6	7,7	18	9	11	27	10	M5	9	13	18
632 996 06	632 997 06	6	9	6,75	8,9	20	10	13	30	12	M6	11	13	27
632 996 08	632 997 08	8	12	9	10,4	24	12,5	16	36	16	M8	13	14	46
632 996 10	632 997 10	10	14	10,5	12,9	28	15	19	43	20	M10	17	13	76
632 996 12	632 997 12	12	16	12	15,4	32	17,5	22	50	22	M12	19	13	115
632 996 14	632 997 14	14	19	13,5	16,8	36	20	25	57	25	M14	22	16	170
632 996 16	632 997 16	16	21	15	19,3	42	22	27	64	28	M16	22	15	230
632 996 18	632 997 18	18	23	16,5	21,8	46	25	31	71	32	M18x1,5	27	15	320
632 996 20	632 997 20	20	25	18	24,3	50	27,5	34	77	33	M20x1,5	32	14	415
632 996 22	632 997 22	22	28	20	25,8	54	30	37	84	37	M22x1,5	32	15	540
632 996 25	632 997 25	25	31	22	29,6	60	33,5	42	94	42	M24x2	36	15	750
632 996 30	632 997 30	30	37	25	34,8	70	40	50	110	51	M30x2	41	17	1130
632 996 35	632 997 35	35	43	28	37,7	80	46	58	125	56	M36x2	50	19	1600
632 996 40	632 997 40	40	49	35	44,2	90	57	69	142	60	M42x2	60	16	2770

Heavy-Duty Rod Ends GT-R DIN ISO 12240-4 (DIN 648) Series K, Maintenance Free, Stainless Steel, External Thread

Material:

Rod End: Stainless steel 1.4057, AISI 431
(forged piece, size 40 machined).
Thread rolled, surface clear stained.

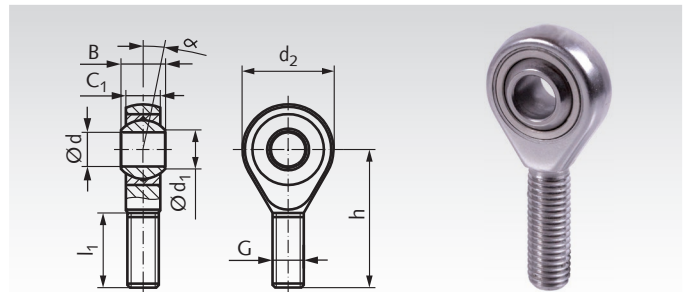


Ball: Stainless steel 1.4034 (AISI 440 C), hardened, all sides ground, bearing surface polished.

Bearing Shell: Stainless steel 1.4571 (AISI 316 Ti) with PTFE-lining.

Tolerances and load tables page 636 - 637.

AR = External Right-hand thread. AL = External Left-hand thread.



Ordering Details: e.g.: Product No. 632 998 05, Rod End GT-R, AR Stainless

Product No. AR	Product No. AL	d ^{H7} mm	B ^{-0.1} mm	C ₁ ^{±0.15} mm	d ₁ mm	d ₂ mm	h mm	l ₁ ^{-1.0} mm	Thread ISO DIN 13 6H G mm	Tilting angle α °	Weight g
632 998 05	632 999 05	5	8	6	7,7	18	33	20	M5	13	13
632 998 06	632 999 06	6	9	6,75	8,9	20	36	22	M6	13	20
632 998 08	632 999 08	8	12	9	10,4	24	42	25	M8	14	33
632 998 10	632 999 10	10	14	10,5	12,9	28	48	29	M10	13	56
632 998 12	632 999 12	12	16	12	15,4	32	54	33	M12	13	87
632 998 14	632 999 14	14	19	13,5	16,8	36	60	38	M14	16	129
632 998 16	632 999 16	16	21	15	19,3	42	66	40	M16	15	189
632 998 18	632 999 18	18	23	16,5	21,8	46	72	44	M18x1,5	15	267
632 998 20	632 999 20	20	25	18	24,3	50	78	47	M20x1,5	14	348
632 998 22	632 999 22	22	28	20	25,8	54	84	51	M22x1,5	15	443
632 998 25	632 999 25	25	31	22	29,6	60	94	57	M24x2	15	600
632 998 30	632 999 30	30	37	25	34,8	70	110	71	M30x2	17	1030
632 998 35	632 999 35	35	43	28	37,7	80	125	73	M36x2	19	1600
632 998 40	632 999 40	40	49	35	44,2	90	142	78	M42x2	16	2570

Threaded bars with metric thread and fine thread page 556.

Loctite thread locking and bonding products page 849.