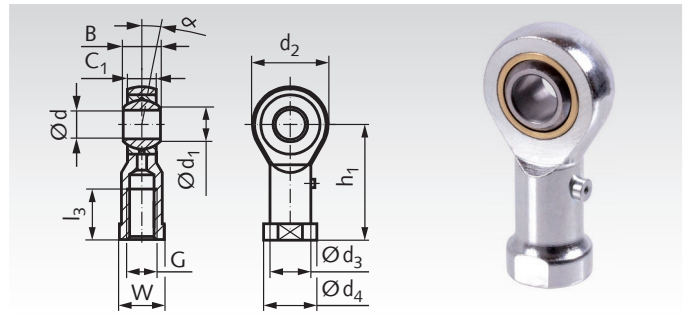


Heavy-Duty Rod Ends GS DIN ISO 12240-4 (DIN 648) Series K, Internal Thread

Material internal ring: Roller bearing steel 100Cr6, hardened HRC 62 ±1, ground and polished.
Material outer part: Bores 6-12 mm, free cutting steel, turned, bores 14-30 mm C22 forged, zinc-plated.
Material bearing race: Special brass CuZn38Al1.
Normal bearing clearance: 5 - 50 μ at a measuring load of 100 N.
 Sliding speeds up to 60 m/min. Steel on high-duty brass, thus high radial and axial alternating loads.
 Load tables pages 636 - 637.

Initial lubrication before use is required!

IR = Internal-Right hand thread. IL = Internal Left-hand thread.



Ordering Details: e.g.: Product No. 632 002 00, Rod End GS, IR

Product No. IR	Product No. IL	dH7 mm	B-0.12 mm	C ₁ ±0.15 mm	d ₁ mm	d ₂ mm	d ₃ mm	d ₄ mm	h ₁ mm	l ₃ ^{-1.0} mm	Thread ISO DIN 13 6H G mm	W mm	Tilting angle α °	Weight g
632 002 00*	632 102 00*	2	4,5	3,6	2,6	9	3,8	4,5	16	7	M2	4	16	3
632 003 00*	632 103 00*	3	6	4,5	5,1	14	5	6,5	21	10	M3	5,5	14	6
632 005 00	632 105 00	5	8	6	7,7	18	9	11	27	10	M5	9	13	86
632 006 00	632 106 00	6	9	6,75	8,9	20	10	13	30	12	M6	11	13	27
632 008 00	632 108 00	8	12	9	10,4	24	12,5	16	36	16	M8	13	14	46
632 010 00	632 110 00	10	14	10,5	12,9	28	15	19	43	20	M10	17	13	76
632 012 00	632 112 00	12	16	12	15,4	32	17,5	22	50	22	M12	19	13	115
632 014 00	632 114 00	14	19	13,5	16,8	36	20	25	57	25	M14	22	16	170
632 016 00	632 116 00	16	21	15	19,3	42	22	27	64	28	M16	22	15	230
632 018 00	632 118 00	18	23	16,5	21,8	46	25	31	71	32	M18x1,5	27	15	320
632 020 00	632 120 00	20	25	18	24,3	50	27,5	34	77	33	M20x1,5	32	14	415
632 022 00	632 122 00	22	28	20	25,8	54	30	37	84	37	M22x1,5	32	15	540
632 025 00	632 125 00	25	31	22	29,6	60	33,5	42	94	42	M24x2	36	15	750
632 030 00	632 130 00	30	37	25	34,8	70	40	51	110	51	M30x2	41	17	1130
632 035 00	632 135 00	35	43	28	37,7	80	46	58	125	56	M36x2	50	19	1600
632 040 00	632 140 00	40	49	35	44,2	90	57	69	142	60	M42x2	60	16	2770

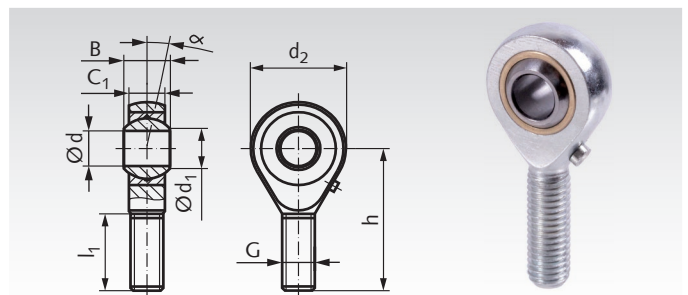
* Up to size 3 without grease nipple.

Heavy-Duty Rod Ends GS DIN ISO 12240-4 (DIN 648) Series K, External Thread

Material internal ring: Roller bearing steel 100Cr6, hardened HRC 62 ±1, ground and polished.
Material outer part: Bores 6-12 mm, free cutting steel, turned, bores 14-30 mm C22 forged, zinc-plated.
Material bearing race: Special brass CuZn38Al1.
Normal bearing clearance: 5 - 50 μ at a measuring load of 100 N.
 Sliding speeds up to 60 m/min. Steel on high-duty brass, thus high radial and axial alternating loads.
 Load tables pages 636 - 637.

Initial lubrication before use is required!

AR = External Right-hand thread. AL = External Left-hand thread.



Ordering Details: e.g.: Product No. 632 202 00, Rod End GS, AR

Product No. AR	Product No. AL	dH7 mm	B-0.12 mm	C ₁ ±0.15 mm	d ₁ mm	d ₂ mm	h mm	l ₁ ^{-1.0} mm	Thread ISO DIN 13 6H G mm	Tilting angle α °	Weight g
632 202 00*	632 302 00*	2	4,5	3,6	2,6	9	20	12	M2	16	3
632 203 00*	632 303 00*	3	6	4,5	5,1	14	26	15	M3	14	6
632 205 00*	632 305 00*	5	8	6	7,7	18	33	20	M5	13	13
632 206 00	632 306 00	6	9	6,75	8,9	20	36	22	M6	13	20
632 208 00	632 308 00	8	12	9	10,4	24	42	25	M8	14	33
632 210 00	632 310 00	10	14	10,5	12,9	28	48	29	M10	13	56
632 212 00	632 312 00	12	16	12	15,4	32	54	33	M12	13	87
632 214 00	632 314 00	14	19	13,5	16,8	36	60	36	M14	16	129
632 216 00	632 316 00	16	21	15	19,3	42	66	40	M16	15	189
632 218 00	632 318 00	18	23	16,5	21,8	46	72	44	M18x1,5	15	267
632 220 00	632 320 00	20	25	18	24,3	50	78	47	M20x1,5	14	348
632 222 00	632 322 00	22	28	20	25,8	54	84	51	M22x1,5	15	443
632 225 00	632 325 00	25	31	22	29,6	60	94	57	M24x2	15	600
632 230 00	632 330 00	30	37	25	34,8	70	110	71	M30x2	17	1030
632 235 00	632 335 00	35	43	28	37,7	80	125	73	M36x2	19	1600
632 240 00	632 340 00	40	49	35	44,2	90	142	78	M42x2	16	2550

* Up to size 5 without grease nipple.