

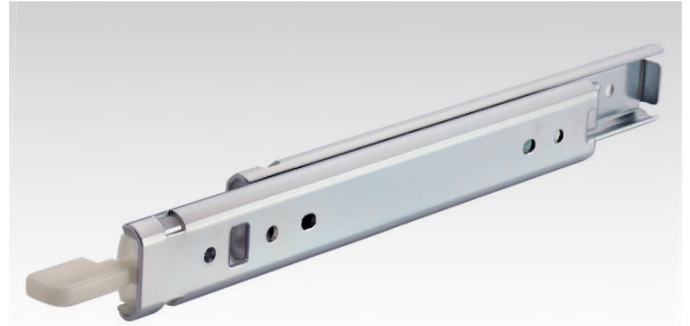
## Slides DZ 2731 CL, Width 19,1 mm, to 30 kg, Full extension

### Material:

Slide elements: Cold-rolled steel, bright zinc-plated.  
Ball retainers: Cold-rolled, zinc-plated steel.  
Balls: Hardened steel.

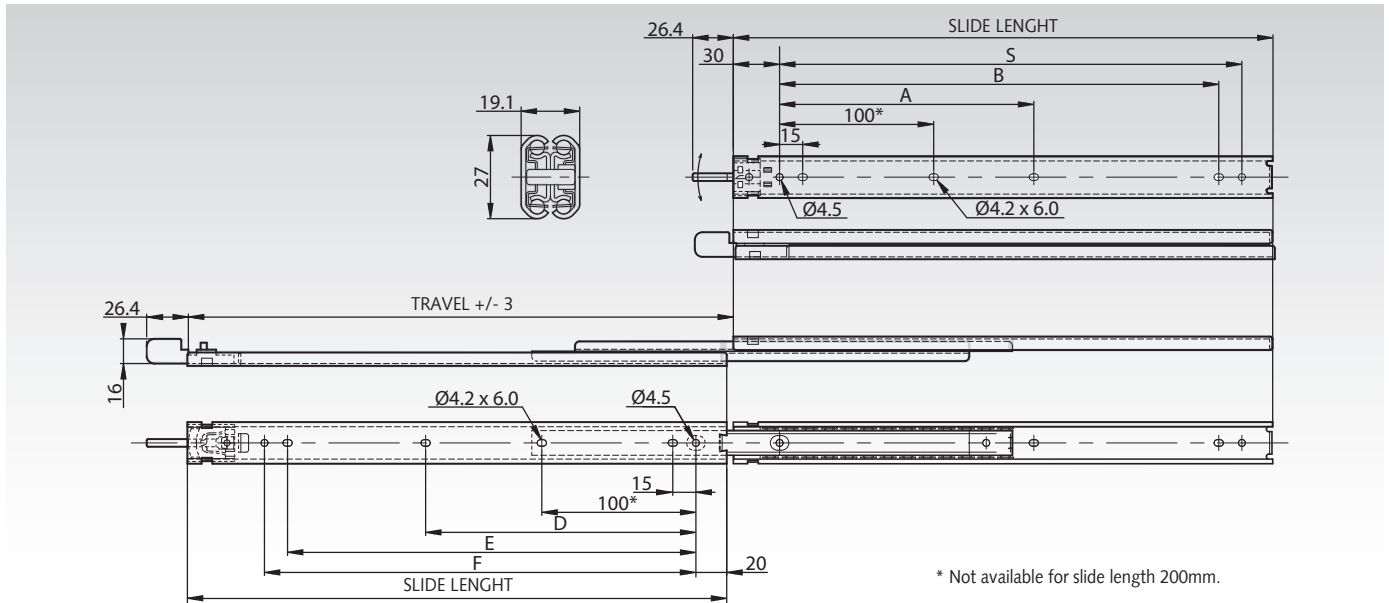
Telescopic ball bearing slides for applications in the industrial and electronics sector.

- Low profile: 27mm high.
- Lock-in in closed position.
- Front lever lock release.
- Can be mounted on both sides.
- Service life 80,000 cycles.
- Temperature range: -20°C to +70°C.



Accuride

Ordering details: e.g.: Prod. No. 649 005 20, Slides DZ 2731 CL



Product No. per Pair	Slide-length mm	Travel +/- 3 mm	A mm	B mm	C mm	D mm	E mm	F mm	Load Rating per Pair kg	Weight per Pair kg
649 005 20	200	207	-	135	150	-	115	130	23	0,56
649 005 25	250	256	-	185	200	-	165	180	26	0,72
649 005 30	300	305	-	235	250	-	215	230	30	0,89
649 005 35	350	354	-	285	300	-	265	280	28	1,05
649 005 40	400	404	-	335	350	-	315	330	26	1,21
649 005 45	450	453	215	385	400	225	365	380	24	1,37
649 005 50	500	502	240	435	450	250	415	430	22	1,53

### Note

Recommended mount: M4/M3 screw.  
Max. head. height 2,5mm/Ø8,3mm.  
Use all mounting positions to achieve the max. load rating.  
The load capacity was tested with 80,000 cycles at a slide spacing of 450mm.

**Selection Tool**  
on the Internet at [www.maedler.de](http://www.maedler.de)  
in the section **MÄDLER®-Tools**