

Slides DZ 2026, Width 9.5 mm, to 50 kg, Two-Way Travel

Material:

Slide elements: Cold-rolled steel, bright zinc-plated.

Ball retainers: Cold-rolled steel, zinc-plated.

Balls: Hardened steel.

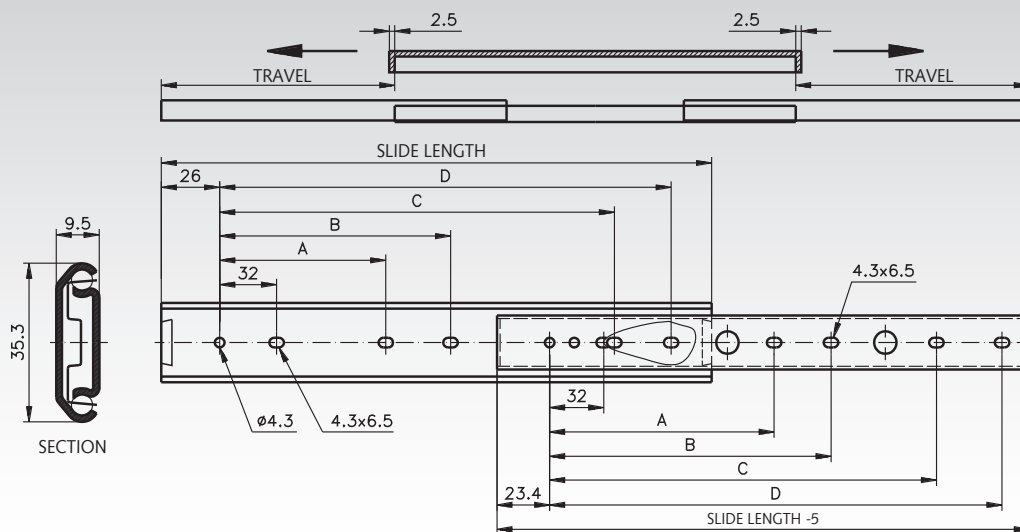
Telescopic ball bearing slides for applications in the industrial and electronics sector.

- Hold-out on both sides.
- Pulls out to front and back. For applications requiring access from both sides of the drawer.
- Service life 10,000 cycles.
- Temperature range: -20°C to +110°C.



Accuride

Ordering details: e.g.: Prod. No. 649 004 30, Slides DZ 2026



Product No. per Pair	Slide Length mm	Travel +/-3.2 mm	A mm	B mm	C mm	D mm	Load Rating per Pair kg	Weight per Pair kg
649 004 30	300	209	128	160	224	256	50	0,56
649 004 35	350	246	160	192	256	288	50	0,65
649 004 40	400	283	192	224	320	352	45	0,74
649 004 45	450	321	224	256	352	384	40	0,84
649 004 50	500	358	256	288	416	448	40	0,94
649 004 55	550	395	256	288	480	512	35	1,03
649 004 60	600	433	288	320	512	544	35	1,13
649 004 65	650	470	288	320	576	608	30	1,21
649 004 70	700	507	320	352	608	640	30	1,32

Note

Recommended mounts: M4 screw.

Use all mounting positions to achieve the max. load rating.

Selection Tool

on the Internet at www.maedler.de

in the section **MÄDLER®-Tools**