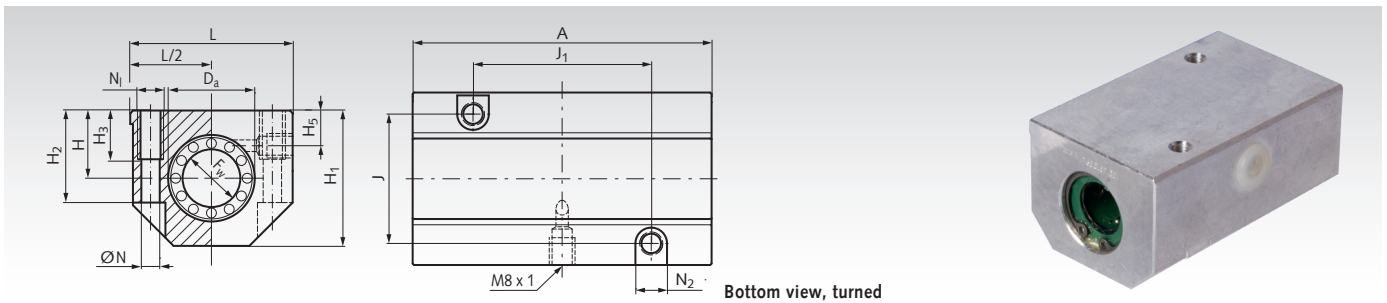


Tandem Linear-Bearing Units KGT-3 ISO Series 3, Easy-Line, with Linear Bearings of Closed Design



Material: Housing made from extruded aluminium with two closed linear bearings of the ISO Series 3 from reliable brand in good quality. Our Easy-Line bushes with swimming seals are very light running. Self-aligning capability that accommodates tilting. With wiping seals.

All bearings are lubricated ready-to-install.
Recommended shaft tolerance h6.
Spare linear bearing page 479.

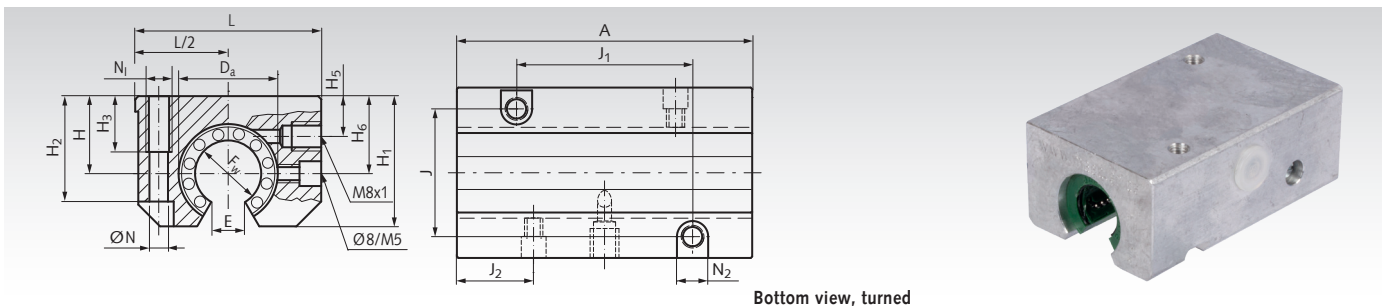
Ordering Details: e.g.: Product No. 646 812 02, Linear Bearings Unit KGT-3, Easy-Line, Internal Ø 12 mm

Product No.	F _w mm	A mm	D _a mm	H ^{±0.02} mm	H ₁ mm	H ₂ mm	H ₃ mm	J mm	J ₁ mm	L mm	N mm	N ₁ * mm	N ₂ mm	Load Rating		Weight g
														dyn. C N	stat. C ₀ N	
Closed																
646 812 02	12	76	22	18	35	25	13	30	40	43	5,2	M6	10	1660	2580	250
646 816 02	16	84	26	22	42	30	13	36	45	53	5,2	M6	10	2030	3100	410
646 820 02	20	104	32	25	50	34	18	45	55	60	6,8	M8	11	3400	5260	640
646 825 02	25	130	40	30	60	40	22	54	70	78	8,6	M10	15	6160	9440	1290
646 830 02	30	152	47	35	70	48	26	62	85	87	10,3	M12	18	8610	13620	1970
646 840 02	40	176	62	45	90	60	34	80	100	108	14,25	M16	20	10740	16460	3520
646 850 02	50	224	75	50	105	49	34	100	125	132	14,25	M16	20	17600	27000	5860

* When mounting from the bottom side choose the next smaller screw size.

Shaft steel page 466. Shaft blocks page 475.

Tandem Linear-Bearing Units KGT-3-O ISO Series 3, Easy-Line, with Linear Bearings of Open Design



Material: Housing made from extruded aluminium with two open linear bearings of the ISO Series 3 from reliable brand in good quality. Our Easy-Line bushes with swimming seals are very light running. Self-aligning capability that accommodates tilting. With wiping seals.

All bearings are lubricated ready-to-install.
Recommended shaft tolerance h6.
Spare linear bearing page 479.

Ordering Details: e.g.: Product No. 646 812 03, Linear Bearings Unit KGT-3-O, Easy-Line, Internal Ø 12 mm

Product No.	F _w mm	A mm	D _a mm	H ^{±0.02} mm	H ₁ mm	H ₂ mm	H ₃ mm	H ₆ mm	J mm	J ₁ mm	J ₂ mm	L mm	N mm	N ₁ * mm	N ₂ mm	E mm	Load Rating		Weight g
																	dyn. C N	stat. C ₀ N	
Open																			
646 812 03	12	76	22	18	28	25	13	16,7	30	40	19,5	43	5,2	M6	10	6,5	1660	2580	210
646 816 03	16	84	26	22	35	30	13	22,0	36	45	21,5	53	5,2	M6	10	9,0	2030	3100	340
646 820 03	20	104	32	25	42	34	18	25,0	45	55	27,0	60	6,8	M8	11	9,0	3400	5260	560
646 825 03	25	130	40	30	51	40	22	31,5	54	70	33,5	78	8,6	M10	15	11,5	6160	9440	1140
646 830 03	30	152	47	35	60	48	26	33,0	62	85	39,5	87	10,3	M12	18	14,0	8910	13620	1670
646 840 03	40	176	62	45	77	60	34	43,5	80	100	45,0	108	14,25	M16	20	19,5	10740	16460	3020
646 850 03	50	224	75	50	88	49	34	47,5	100	125	56,5	132	14,25	M16	20	22,5	17600	27000	5010

* When mounting from the bottom side choose the next smaller screw size.

Shaft steel with shaft support page 467.