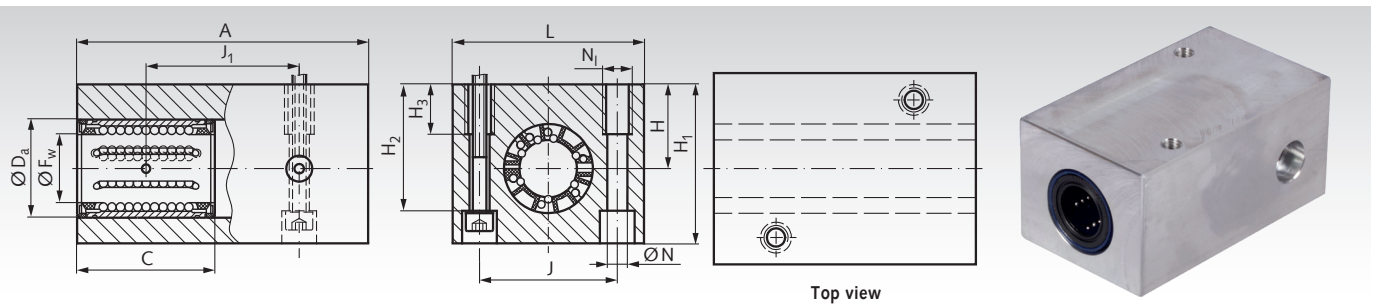


Tandem Linear-Bearing Units KGT-3 ISO Series 3, with two Premium Linear Bearings of Closed Design



Material: Housing made from extruded aluminium with two closed linear bearings of the ISO Series 3 from premium brand in top quality. With self-aligning capability that accommodates tilting. With wiping double-lip seals.

All bearings are lubricated ready-to-install.
Recommended shaft tolerance h6.
Spare linear bearing page 478.

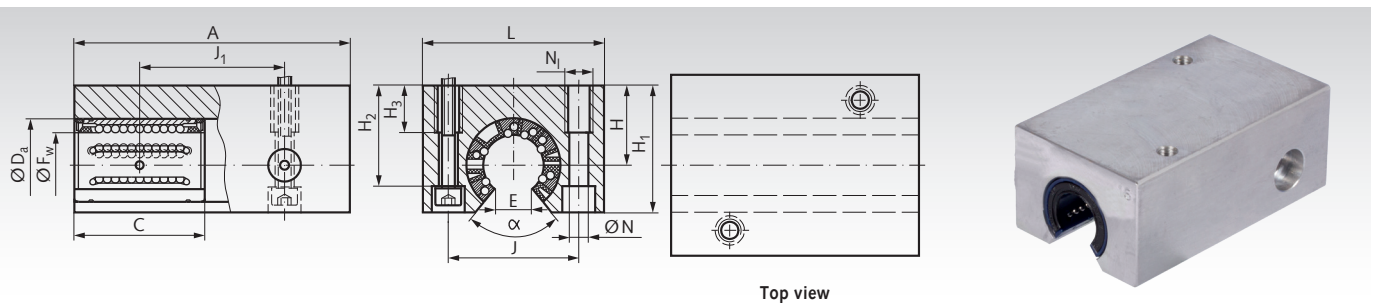
Ordering Details: e.g.: Product No. 646 812 00, Linear Bearings Unit KGT-3, Internal Ø 12 mm

Product No. Closed	F _w mm	A mm	C mm	D _a mm	H ^{±0.01} mm	H ₁ mm	H ₂ mm	H ₃ mm	J mm	J ₁ mm	L mm	N mm	N ₁ * mm	Load Rating		Weight g
														dyn. C N	stat. C ₀ N	
646 812 00	12	76	32	22	18	35	27	13	30	40	42	5,3	M6	1760	1630	236
646 816 00	16	84	36	26	22	41,5	33	13	36	45	50	5,3	M6	2160	1730	372
646 820 00	20	104	45	32	25	49,5	39,5	18	45	55	60	6,4	M8	3200	2750	670
646 825 00	25	130	58	40	30	59,5	47	22	54	70	74	8,4	M10	4750	4150	1236
646 830 00	30	152	68	47	35	69,5	55	26	62	85	84	10,5	M12	7500	6550	1870
646 840 00	40	176	80	62	45	89,5	71	34	80	100	108	13	M16	12700	10400	3550
646 850 00	50	224	100	75	50	99,5	81	34	100	125	130	13	M16	18300	14000	5920

* When mounting from the bottom side choose the next smaller screw size.

Shaft steel page 466. Shaft blocks page 475.

Tandem Linear-Bearing Units KGT-3-O ISO Series 3, with two Premium Linear Bearings of Open Design



Material: Housing made from extruded aluminium with two open linear bearings of the ISO Series 3 from premium brand in top quality. With self-aligning capability that accommodates tilting. With wiping double-lip seals.

All bearings are lubricated ready-to-install.
Recommended shaft tolerance h6.
Spare linear bearing page 478.

Ordering Details: e.g.: Product No. 646 812 01, Linear Bearings Unit KGT-3-O, Internal Ø 12 mm

Product No. Open	F _w mm	A mm	C mm	D _a mm	H ^{±0.02} mm	H ₁ mm	H ₂ mm	H ₃ mm	J mm	J ₁ mm	L mm	N mm	N ₁ * mm	E mm	α Degrees	Load Rating		Weight g
																dyn. C N	stat. C ₀ N	
646 812 01	12	76	32	22	18	29	23,5	13	30	40	42	5,3	M6	7,6	78	1760	1630	178
646 816 01	16	84	36	26	22	35	28	13	36	45	50	5,3	M6	10,4	78	2160	1730	284
646 820 01	20	104	45	32	25	42	33,5	18	45	55	60	6,4	M8	10,8	60	3200	2750	620
646 825 01	25	130	58	40	30	51	40	22	54	70	74	8,4	M10	13,2	60	4750	4150	966
646 830 01	30	152	68	47	35	60	46,5	26	62	85	84	10,5	M12	14,2	50	7500	6550	1490
646 840 01	40	176	80	62	45	77	61	34	80	100	108	13	M16	18,7	50	12700	10400	2810
646 850 01	50	224	100	75	50	88	72	34	100	125	130	13	M16	23,6	50	18300	14000	4830

* When mounting from the bottom side choose the next smaller screw size.

Shaft steel with shaft support page 467.