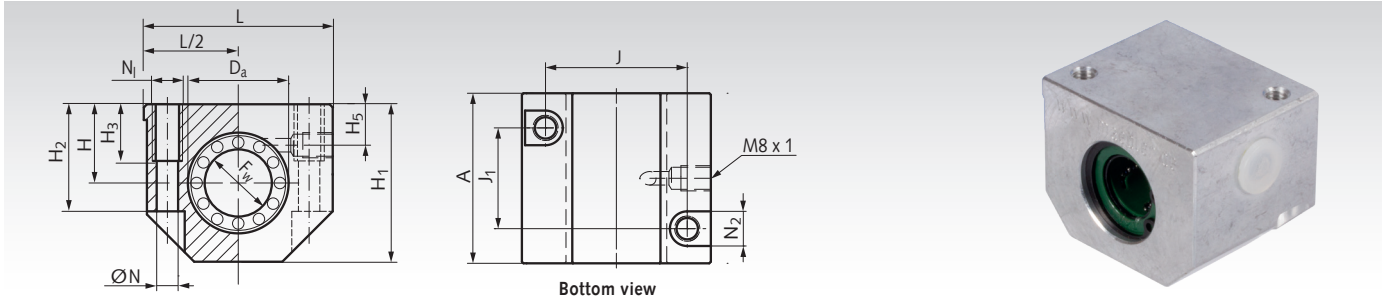


Linear Bearings Units KG-3 ISO Series 3, Easy-Line, with Linear Bearing of Closed Design



Material: Housing made from extruded aluminium with a closed linear bearing of the ISO Series 3 from reliable brand in good quality. Our Easy-Line bushes with swimming seals are very light running. Self-aligning capability that accommodates tilting. With wiping seals.

All bearings are lubricated ready-to-install.
Recommended shaft tolerance h6.
Spare linear bearing page 479.

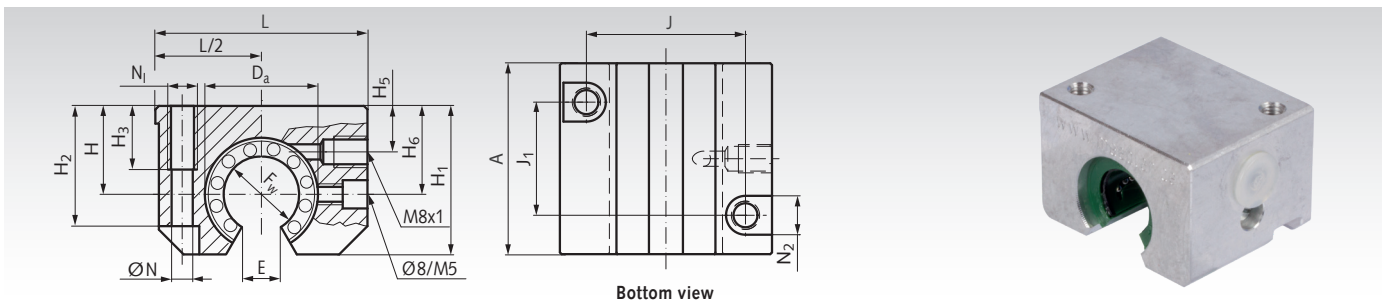
Ordering Details: e.g.: Product No. 646 712 02, Linear Bearings Unit KG-3, Easy-Line, Internal Ø 12 mm

Product No. Closed	F _w mm	A mm	D _a mm	H _{±0,02} mm	H ₁ mm	H ₂ mm	H ₃ mm	H ₅ mm	J mm	J ₁ mm	L mm	N mm	N ₁ * mm	N ₂ mm	Load Rating		Weight g
															dyn. C N	stat. C ₀ N	
646 712 02	12	39	22	18	35	25	13	10	32	23	43	4,2	M5	8	1020	1290	130
646 716 02	16	43	26	22	42	30	13	12	40	26	53	5,2	M6	10	1250	1550	200
646 720 02	20	54	32	25	50	34	18	13	45	32	60	6,8	M8	11	2090	2630	330
646 725 02	25	67	40	30	60	40	22	15	60	40	78	8,6	M10	15	3780	4720	670
646 730 02	30	79	47	35	70	48	22	16	68	45	87	8,6	M10	15	5470	6810	1010
646 740 02	40	91	62	45	90	60	26	20	86	58	108	10,3	M12	18	6590	8230	1810
646 750 02	50	113	75	50	105	49	34	20	108	50	132	14,25	M16	20	10800	13500	2930

* When mounting from the bottom side choose the next smaller screw size.

Shaft steel page 466. Shaft blocks page 475.

Linear Bearings Units KG-3-O ISO Series 3, Easy-Line, with Linear Bearing of Open Design



Material: Housing made from extruded aluminium with an open linear bearing of the ISO Series 3 from reliable brand in good quality. Our Easy-Line bushes with swimming seals are very light running. Self-aligning capability that accommodates tilting. With wiping seals.

All bearings are lubricated ready-to-install.
Recommended shaft tolerance h6.
Spare linear bearing page 479.

Ordering Details: e.g.: Product No. 646 712 03, Linear Bearings Unit KG-3-O, Easy-Line, Internal Ø 12 mm

Product No. Open	F _w mm	A mm	D _a mm	H _{±0,02} mm	H ₁ mm	H ₂ mm	H ₃ mm	H ₅ mm	H ₆ mm	J mm	J ₁ mm	L mm	N mm	N ₁ * mm	N ₂ mm	E mm	Load Rating		Weight g
																	dyn. C N	stat. C ₀ N	
646 712 03	12	39	22	18	28	23,5	11	8	16,7	32	23	43	4,2	M5	8	6,5	1020	1290	100
646 716 03	16	43	26	22	35	30	13	12	22,0	40	26	53	5,2	M6	10	9,0	1250	1550	170
646 720 03	20	54	32	25	42	34	18	13	25,0	45	32	60	6,8	M8	11	9,0	2090	2630	280
646 725 03	25	67	40	30	51	40	22	15	31,5	60	40	78	8,6	M10	15	11,5	3780	4720	570
646 730 03	30	79	47	35	60	48	22	16	33,0	68	45	87	8,6	M10	15	14,0	5470	6810	870
646 740 03	40	91	62	45	77	60	26	20	43,5	86	58	108	10,3	M12	28	19,5	6590	8230	1560
646 750 03	50	113	75	50	88	49	34	20	47,5	108	50	132	14,25	M16	20	22,5	10800	13500	2480

* When mounting from the bottom side choose the next smaller screw size.

Shaft steel with shaft support page 467.