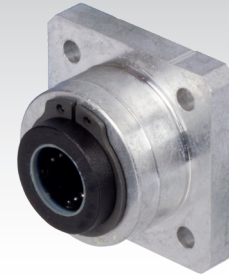
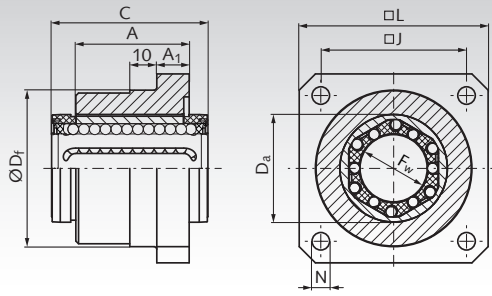


## Linear Bearings Units KG-3-F ISO Series 3, Flange Version, with Linear Bearing of Closed Design



**Material:** Housing made from extruded aluminium with a closed linear bearing of the ISO Series 3 from reliable brand in good quality. Self-aligning capability that accommodates tilting. With wiping double-lip seals.

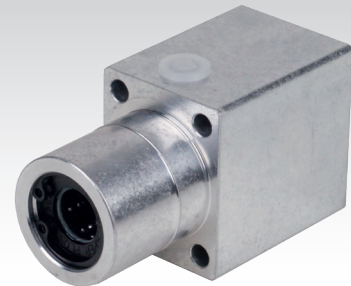
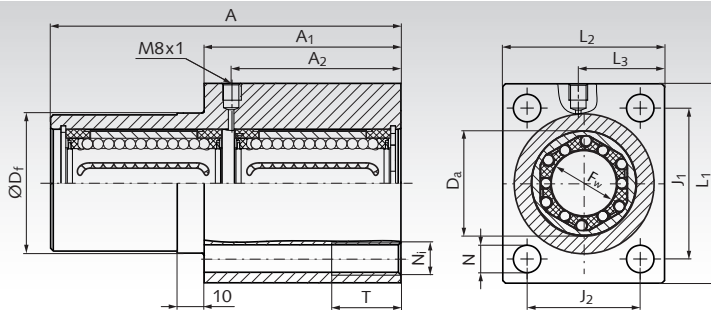
All bearings are lubricated ready-to-install.  
Recommended shaft tolerance h6.  
Spare linear bearing page 479.

Ordering Details: e.g.: Product No. 646 712 06, Linear Bearings Unit KG-3-F, Flange Version, Internal Ø 12 mm

Product No.	F <sub>w</sub> mm	A mm	A <sub>1</sub> mm	C mm	D <sub>a</sub> mm	D <sub>f</sub> <sup>h7</sup> mm	J mm	L mm	N mm	Load Rating		Weight g
										dyn. C N	stat. C <sub>0</sub> N	
646 712 06	12	22	6	32	22	32	30	40	5,5	1020	1290	90
646 716 06	16	24	8	36	26	38	35	50	5,5	1250	1550	120
646 720 06	20	30	10	45	32	46	42	60	6,6	2090	2630	250
646 725 06	25	42	12	58	40	58	54	70	6,6	3780	4720	490
646 730 06	30	50	14	68	47	66	60	80	9	5470	6810	780
646 740 06	40	59	16	80	62	90	78	100	11	6590	8230	1280

Shaft steel page 466. Shaft blocks page 475.

## Linear Bearings Units KG-3-FT ISO Series 3, Tandem-Flange Version, with Linear Bearing of Closed Design



**Material:** Housing made from extruded aluminium with two closed linear bearings of the ISO Series 3 from reliable brand in good quality. Self-aligning capability that accommodates tilting. With wiping double-lip seals.

All bearings are lubricated ready-to-install.  
Recommended shaft tolerance h6.  
Spare linear bearing page 479.

Ordering Details: e.g.: Product No. 646 712 07, Linear Bearings Unit KG-3-FT, Tandem-Flange Version, Internal Ø 12 mm

Product No.	F <sub>w</sub> mm	A mm	A <sub>1</sub> mm	A <sub>2</sub> mm	D <sub>a</sub> mm	D <sub>f</sub> <sup>h7</sup> mm	J <sub>1</sub> mm	J <sub>2</sub> mm	L <sub>1</sub> mm	L <sub>2</sub> mm	L <sub>3</sub> mm	N mm	N <sub>i</sub> mm	T mm	Load Rating		Weight g
															dyn. C N	stat. C <sub>0</sub> N	
646 712 07	12	76	46	36	22	30	32	24	42	34	19	5,3	M6	13	2040	2580	200
646 716 07	16	84	50	40	26	35	38	28	50	40	22	6,6	M8	18	2500	3100	320
646 720 07	20	104	60	50	32	42	45	35	60	50	27	8,4	M10	22	4180	5260	550
646 725 07	25	130	73	63	40	52	56	42	74	60	32	10,5	M12	26	7560	9440	1170
646 730 07	30	152	82	74	47	61	64	50	84	70	37	13,5	M16	34	10940	13620	1500

Shaft steel page 466. Shaft blocks page 475.