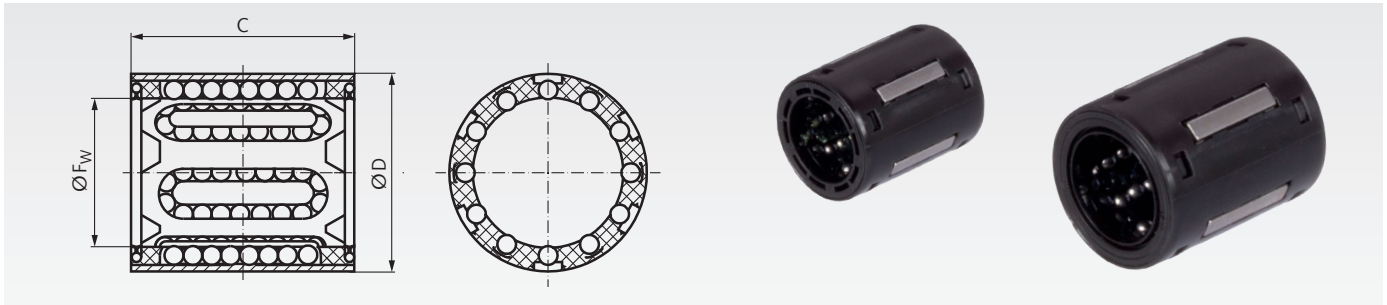


Linear Bearings KB-1 ISO Series 1, Premium



Linear bearings Series 1 of ISO standard 10285 from premium brand in top quality.

Especially compact dimensions enable a space-saving and cost efficient linear support. Easy to mount and provide automatic retention in the mounting bore. I.e., if the boring in the housing

Ordering Details: e.g.: Product No. 646 003 03, Linear Bearing KB-1, Internal Ø 3 mm, with Shields

is exact, the bearing does not to be secured axially. Either with shields or with integral double-lip seal. Bearings up to FW 5mm must be lubricated before use.

All other bearings are lubricated ready-to-install.

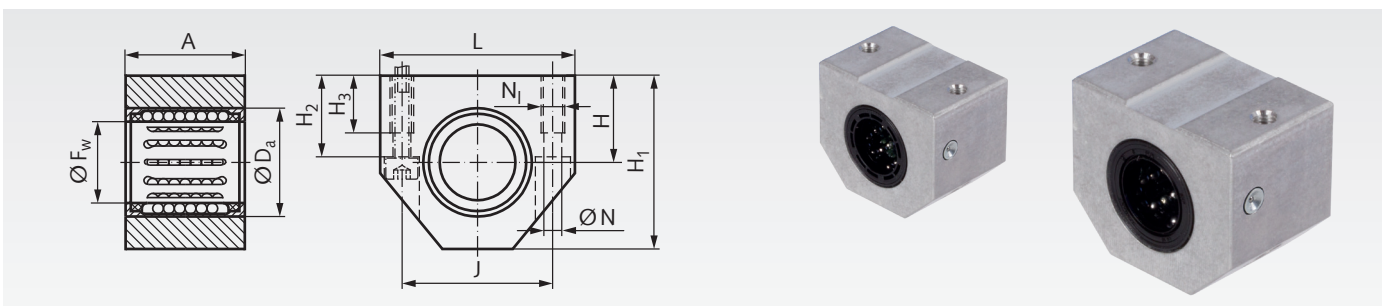
Recommended shaft tolerance h6, housing tolerance H6.

Product No. with Shields	Product No. with Seals	F _w mm	D mm	C mm	Number of Rows of Balls	Load Rating* dyn. C N	Load Rating* stat. C ₀ N	Weight g
646 003 03	646 103 03	3	7	10	4	60	44	0,7
646 004 04	646 104 04	4	8	12	4	75	60	1
646 005 05	646 105 05	5	10	15	4	170	129	2
646 006 06	646 106 06	6	12	22	4	335	270	6
646 008 08	646 108 08	8	15	24	4	490	355	7
646 010 10	646 110 10	10	17	26	5	585	415	11
646 012 12	646 112 12	12	19	28	5	695	510	12
646 014 14	646 114 14	14	21	28	5	710	530	14
646 016 16	646 116 16	16	24	30	5	930	630	18
646 020 20	646 120 20	20	28	30	6	1160	800	21
646 025 25	646 125 25	25	35	40	7	2120	1560	47
646 030 30	646 130 30	30	40	50	8	3150	2700	70
646 040 40	646 140 40	40	52	60	8	5500	4500	130
646 050 50	646 150 50	50	62	70	9	6950	6300	180

* On stainless shafts, the dynamic load rating has to be reduced by 18%, the static load rating by 8%,

Shaft steel page 466.
Shaft blocks page 468

Linear Bearings Units KG-1 ISO Series 1, with a Premium Linear Bearing



Material: Housing made from extruded aluminium with a compact linear bearing of the ISO Series 1 from premium brand in top quality.

With shields or integral double-lip seal. All bearings are lubricated ready-to-install. Recommended shaft tolerance h6.

Ordering Details: e.g.: Product No. 646 506 06, Linear Bearings Unit KG-1, Internal Ø 6 mm, with Shields

Product No. with Shields	Product No. with Seals	F _w mm	A mm	D _a mm	H±0,02 mm	H ₁ mm	H ₂ mm	H ₃ mm	L mm	J mm	N mm	N ₁ * mm	Load Rating C _{dyn.} N	Load Rating stat. C ₀ N	Weight g	Spare Linear Bearings with Shields	Spare Linear Bearings with Seals
646 506 06	646 606 06	6	22**	12	13**	27**	13	9	32	23**	3,4	M4	335	270	50	646 006 06	646 106 06
646 508 08	646 608 08	8	24	15	14**	27	13	9	32	23**	3,4	M4	490	355	50	646 008 08	646 108 08
646 510 10	646 610 10	10	26	17	16	33**	16	11	40**	29**	4,3	M5	585	415	80	646 010 10	646 110 10
646 512 12	646 612 12	12	28	19	17	33	16	11	40	29	4,3	M5	695	510	90	646 012 12	646 112 12
646 514 14	646 614 14	14	28	21	18	36,5	18	11	43	34	4,3	M5	710	530	100	646 014 14	646 114 14
646 516 16	646 616 16	16	30	24	19	38	18	11	45	34	4,3	M5	930	630	100	646 016 16	646 116 16
646 520 20	646 620 20	20	30	28	23	45	22	13	53	40	5,3	M6	1160	800	140	646 020 20	646 120 20
646 525 25	646 625 25	25	40	35	27	54	26	18	62	48	6,6	M8	2120	1560	250	646 025 25	646 125 25
646 530 30	646 630 30	30	50	40	30	60	29	18	67	53	6,6	M8	3150	2700	370	646 030 30	646 130 30
646 540 40	646 640 40	40	60	52	39	76	38	22	87	69	8,4	M10	5500	4500	740	646 040 40	646 140 40
646 550 50	646 650 50	50	70	62	47	92	46	26	103	82	10,5	M12	6950	6300	1190	646 050 50	646 150 50

* When mounting from the bottom side choose the next smaller screw size.

** Dimension not in accordance with DIN ISO 13012-1.

Shaft steel page 466. Shaft blocks page 468.