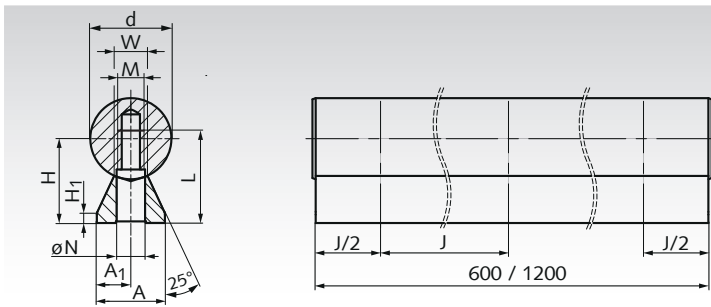


Precision Shaft Steel with Shaft Support, Low Version



Material shaft: Steel 1.1213 (Cf53), hardened and ground, hardness 62 ± 2 HRC, diameter tolerance ISO h6.

Material support: Extruded aluminium.

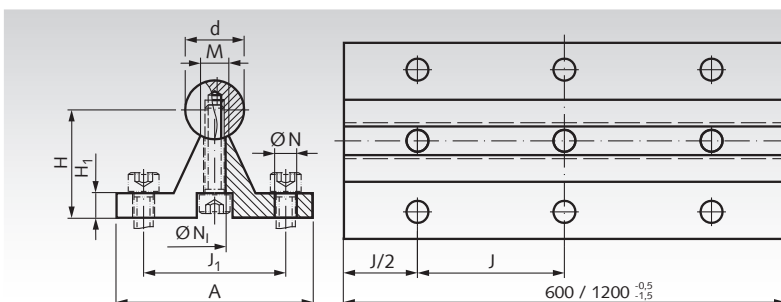
Length: Either 600 mm or 1200 mm.
Delivery without mounting screws.

Ready-to-install, supported linear shafts to be used with open linear bearings or open linear bearing units. The shafts are supported over the entire length. Unit can be shortened by the customer using an angle grinder. The shaft supports have internal threads to get mounted from the downside of the customer's base plate. The required screw length depends also on the thickness of the base plate. Longer versions on request.

Ordering Details: e.g.: Product No. 647 412 05, Shaft with Support, Low Version, \varnothing 12 mm, Length 600 mm

Product No. Length 600 mm	Product No. Length 1200 mm	d mm	A mm	A ₁ mm	H $\pm 0,15$ mm	H ₁ mm	J mm	M mm	N mm	L mm	W mm	Weight 600 mm kg	Weight 1200 mm kg
647 412 05	647 412 06	12	11	5,5	14,5	3	75	M4	4,5	15,5	5,4	0,66	1,32
647 416 05	647 416 06	16	14	7	18	3	75	M5	5,5	16	7	1,20	2,40
647 420 05	647 420 06	20	17	8,5	22	3	75	M6	6,6	20	8,1	1,79	3,58
647 425 05	647 425 06	25	21	10,5	26	3	75	M8	9	25	10,3	2,67	5,34
647 430 05	647 430 06	30	23	11,5	30	3	100	M10	11	30	11	3,76	7,52
647 440 05	647 440 06	40	30	15	39	4	100	M12	13,5	38	15	6,44	12,88

Precision Shaft Steel with Shaft Support



Material shaft: Steel 1.1213 (Cf53), hardened and ground, hardness 62 ± 2 HRC, diameter tolerance ISO h6.

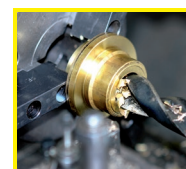
Material support: Extruded aluminium.

Length: Either 600 mm or 1200 mm.

Ready-to-use, mounted, supported linear shafts to be used with open linear bearings or open linear bearing units. The shafts are supported over the entire length. The shaft supports have mounting holes for mounting them on a base plate. Unit can be shortened by the customer using an angle grinder. Longer versions on request.

Ordering Details: e.g.: Product No. 647 412 03, Shaft with Support, \varnothing 12 mm, Length 600 mm

Product No. Length 600 mm	Product No. Length 1200 mm	d mm	A mm	H $\pm 0,15$ mm	H ₁ mm	J mm	J ₁ mm	M mm	N mm	N ₁ mm	β Degrees	Mounting Screw DIN 912	Weight 600 mm kg	Weight 1200 mm kg
647 412 03	647 412 04	12	40	22	5	75	29	5,8	4,5	4,5	50	M4x16	1,08	2,16
647 416 03	647 416 04	16	45	26	5	100	33	7	5,5	5,5	50	M5x20	1,61	3,22
647 420 03	647 420 04	20	52	32	6	100	37	8,3	6,6	6,6	50	M6x25	2,44	4,89
647 425 03	647 425 04	25	57	36	6	120	42	10,8	6,6	9	50	M8x25	3,46	6,92
647 430 03	647 430 04	30	69	42	7	150	51	11	9	11	50	M10x30	4,84	9,68
647 440 03	647 440 04	40	73	50	8	200	55	15	9	11	50	M10x35	7,82	15,64
647 450 03	647 450 04	50	84	60	9	200	63	19	11	13,5	46	M12x40	11,78	23,56



**Reworking within
24h-service possible.
Custom made parts
on request.**