

Single-Strand Roller Chains Similar to DIN ISO 606 (formerly DIN 8187), Stainless Steel

Material: Stainless steel 1.4301 (AISI 304).

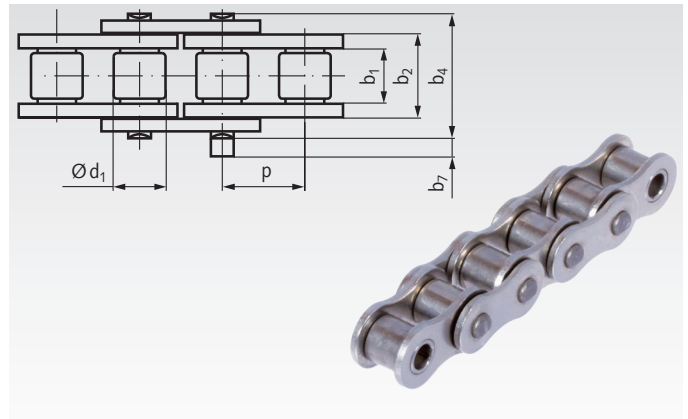


Simplex roller chains with good chemical resistance.

Main dimensions according to DIN ISO 606 (formerly DIN 8187). Due to the material properties, the stated transmittable power and breaking load are below the value for the standard chains. The application should use no more than one sixth of the breaking load stated.

Pre-stretched. Not lubricated. The chains must be lubricated according to the type of application. Waisted link plates (size 06 with straight link plates).

Chains are supplied with an uneven number of links, with inner links at both ends. Connecting links have to be ordered separately.



Ordering Details: e.g.: Product No. 100 996 00, Roller Chain 04, Stainless Steel

DIN ISO-No.	Product No. Stainless	Pitch x Inner Width p x b _{1min}		Inner Width b ₂ mm	Roller- Ø d ₁ mm	Pin Ø mm	Width over Pin b ₄ mm	Projection over Link b ₇ ³⁾ mm	Breaking Load min. N	Weight kg/m	
		mm	inch								
04 ¹⁾	100 996 00 ¹⁾	6,0	x 2,8	-	4,10	4,00	1,85	7,4	2,9	2000	0,12
05 B-1	100 998 00	8,0	x 3,0	-	4,77	5,00	2,31	8,6	3,1	3500	0,18
06 B-1 ²⁾	101 990 00 ²⁾	9,525	x 5,72	3/8 x 7/32	8,53	6,35	3,28	13,5	3,3	6200	0,41
083	103 990 00	12,7	x 4,88	1/2 x 3/16	7,20	7,75	3,66	12,9	1,5	7000	0,33
08 B-1	105 990 00	12,7	x 7,75	1/2 x 5/16	11,30	8,51	4,45	17,0	3,9	12000	0,70
10 B-1	106 990 00	15,875	x 9,65	5/8 x 3/8	13,28	10,16	5,08	19,6	4,1	14500	0,95
12 B-1	107 990 00	19,05	x 11,68	3/4 x 7/16	15,62	12,07	5,72	22,7	4,6	18500	1,25
16 B-1	108 990 00	25,4	x 17,02	1" x 17,02mm	25,45	15,88	8,28	36,1	5,4	40000	2,60
20 B-1	109 990 00	31,75	x 19,56	1 1/4 x 3/4	29,01	19,05	10,19	43,2	6,1	63000	3,70

¹⁾ This size is not part of the DIN.

²⁾ With straight link plates.

³⁾ Maximum values at the connecting link.

Attention please: Packing Unit 5m
If special lengths are needed, please tell us the length and the number of links (uneven number!).
Connecting links have to be ordered separately.

Connecting Links for Single-Strand Roller Chains Similar to DIN ISO 606 (formerly DIN 8187), Stainless Steel

Material: Stainless steel 1.4301 (AISI 304).

Ordering Details: e.g.: Product No. 100 996 03, Connecting Link No. 11/E, 04, Stainless Steel



No. 11/E: Connecting Link with Spring Clip



No. 12/L: Cranked Link with Cottered Pin



No. 4/B: Inner Link

DIN ISO No.	Product No. Connecting Link No. 11/E	Weight g	Product No. Cranked No. 12/L ¹⁾	Weight g	Product No. Inner Link No. 4/B	Weight g
04	100 996 03	0,6	-	-	100 996 01	0,8
05 B-1	100 998 03	2	100 998 04	1,4	100 998 01	1,5
06 B-1	101 990 03	4	101 990 04	4	101 990 01	4
083	103 990 03	4	103 990 04 ²⁾	4	103 990 01	5
08 B-1	105 990 03	7	105 990 04	10	105 990 01	9
10 B-1	106 990 03	13	106 990 04	15	106 990 01	16
12 B-1	107 990 03	14	107 990 04	25	107 990 01	26
16 B-1	108 990 03	65	108 990 04	81	108 990 01	72
20 B-1	109 990 03	115	109 990 04	145	109 990 01	129

¹⁾ With cranked links, power and breaking load are reduced by 20%.

²⁾ Only with riveted bolts.