

Bushes, Design J Similar to DIN 1850 Made from Sintered Bronze

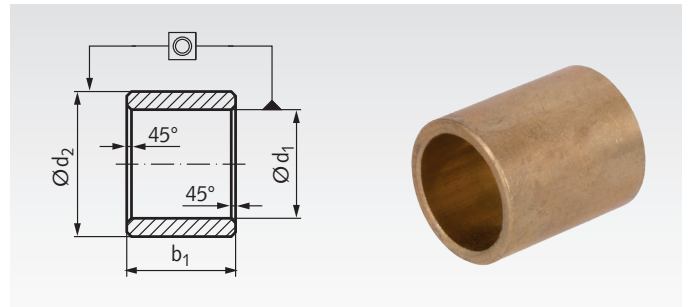
Material: Sintered bronze similar SINT A50.

Self lubricating, oil coated, pressed ready-to-install and kalibrated. After press-fitting them into a rigid bearing housing with a mounting hole H7, these bearings have a bore tolerance H7, at $d_1 > 70$ mm they have a bore tolerance H8.

Edges chamfered at 45° , at choice of the manufacturer. Concentricity tolerance IT9, at $d_1 > 50$ mm: tolerance IT10.

No statement regarding the surface roughness according to DIN 3141 (prenorm) can be given due to the porous structure of the sintered metal.

Ordering Details: e.g.: Product No. 623 302 00, Bronze Bush, 3 mm Bore



Product No.	d_1^{G7} mm	d_2^{s7} mm	b_1^{js13} mm	Weight g
623 302 00	3	6	4	0,56
623 303 00	3	6	6	0,86
623 304 00	4	7	4	0,70
623 306 00	4	8	4	1,01
623 306 05	5	8	8	1,64
623 308 00	5	8	10	2,05
623 309 00	5	8	16	3,28
623 309 05	6	9	6	1,42
623 311 00	6	9	10	2,37
623 311 05	6	9	12	2,84
623 311 10	6	9	16	3,79
623 312 00	6	10	6	1,96
623 313 00	6	10	10	3,27
623 313 05	6	10	12	3,92
623 313 10	6	10	16	5,23
623 313 15	6	12	6	3,41
623 316 00	8	11	8	2,40
623 316 05	8	11	12	3,60
623 317 00	8	12	8	3,37
623 318 00	8	12	12	5,05
623 318 05	8	12	20	8,42
623 321 00	10	13	10	3,63
623 322 00	10	14	16	8,08
623 323 00	10	16	10	8,20
623 325 00	12	15	12	5,11
623 326 00	12	15	20	8,52
623 327 00	12	16	12	7,06
623 328 00	12	18	12	10,70
623 328 05	12	18	16	14,27
623 328 10	12	18	20	17,83
623 331 00	14	18	22	14,78
623 331 05	14	20	12	12,85
623 332 00	14	20	14	14,99
623 335 00	15	19	20	14,30
623 336 00	15	21	16	18,16
623 339 00	16	20	16	12,15
623 340 00	16	20	20	15,28
623 341 00	16	20	25	18,95
623 341 05	16	20	32	24,26
623 342 00	16	22	16	19,18
623 343 00	16	22	20	23,95
623 343 03	16	22	25	29,94
623 343 05	16	22	30	35,93
623 346 00	18	22	18	15,14
623 347 00	18	24	18	23,83
623 348 00	18	24	28	37,09
623 349 00	18	25	18	28,59
623 351 00	20	24	32	29,79
623 352 00	20	25	16	18,92
623 352 05	20	25	20	23,65
623 353 00	20	25	25	29,58
623 353 05	20	25	30	35,48
623 354 00	20	26	20	29,22
623 354 05	20	26	25	36,53
623 354 10	20	26	30	43,83
623 354 15	20	26	32	46,75
623 355 00	20	28	25	50,49
623 356 00	22	28	22	34,85
623 358 00	25	30	20	28,94
623 359 00	25	30	25	36,20
623 359 05	25	30	30	43,44
623 359 10	25	30	40	57,92

Product No.	d_1^{G7} mm	d_2^{s7} mm	b_1^{js13} mm	Weight g
623 359 15	25	32	20	41,9
623 360 00	25	32	25	52,4
623 360 05	25	32	30	62,9
623 360 10	25	32	32	67,1
623 360 15	25	32	40	83,9
623 362 00	28	36	28	73,1
623 363 00	30	38	20	57,2
623 364 00	30	38	24	68,7
623 365 00	30	38	30	85,8
623 365 05	30	38	40	114,4
623 366 00	30	40	30	90,8
623 367 00	32	40	32	96,9
623 369 00	35	44	28	103,6
623 370 00	35	44	35	129,9
623 371 00	35	45	35	147,3
623 372 00	36	45	36	139,2
623 374 00	40	46	32	86,8
623 374 05	40	46	40	108,5
623 375 00	40	50	25	118,3
623 376 00	40	50	40	189,3
623 377 00	45	55	45	236,7
623 378 00	45	56	45	263,1
623 379 00	50	56	32	107,0
623 379 05	50	56	50	167,3
623 380 00	50	60	32	185,1
623 380 05	50	60	40	231
623 381 00	50	60	50	289
623 382 00	55	65	40	247
623 382 02	55	65	55	349
623 382 04	55	65	70	444
623 383 00	60	70	50	344
623 383 02	60	70	60	412
623 383 04	60	70	90	603
623 383 06	60	70	120	825
623 384 00	60	72	50	417
623 384 02	60	72	60	501
623 384 04	60	72	70	585
623 385 00	60	80	90	1330
623 385 02	60	80	120	1773
623 386 00	63	70	40	192
623 386 02	63	70	50	240
623 387 00	70	80	90	714
623 387 02	70	80	120	952
623 388 00	80 ^{G8}	100 ^{s8}	80	1516
623 388 02	80 ^{G8}	100 ^{s8}	120	2274
623 389 00	100 ^{G8}	120 ^{s8}	80	1853
623 389 02	100 ^{G8}	120 ^{s8}	120	2779

Technical Data

Surface pressure: max. 35 N/mm², depending on speed and diameter.
 Maximum load: $P \cdot V = 2,5$ MPA * m/s
 Density: ca. 6,4 - 6,8 g/cm³.
 Radial breaking strength: min. 120 N/mm².
 Hardness: min. 25 HB.
 Porosity: $\approx 25\%$, filled with oil.
 Oil type: Parafinied mineral oil ISO VG 68.
 Temperature range: -20°C to +120°C.