

Single-Strand Roller Chains, similar to DIN ISO 606 (formerly DIN 8187), Nickel-Plated

Material: Special chain steel, nickel-plated.

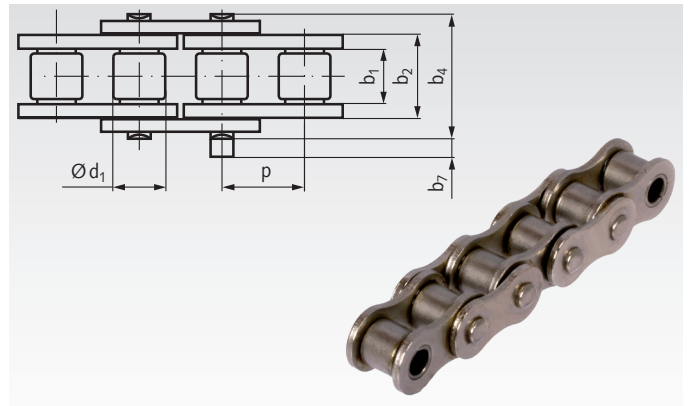
High quality single-strand roller chains with good corrosion resistance. Dimensions and Pre-stretching according to DIN ISO 606 (formerly DIN 8187). Notes regarding the performance calculation are on page 36.

Wasted Link Plates (size 06 with straight link plates).

Chains are supplied with an uneven number of links, with inner links at both ends. Connecting links must be ordered separately.

Temperature range: -10°C to +120°C.

Other temperatures are possible if special grease is used.



Ordering Details: e.g.: Product No. 100 668 00, Roller Chain 05 B-1, nickel plated

DIN ISO-No.	Product No. Nickel plated	Pitch x Inner Width p x b _{1min}		Inner Width b ₂ mm	Roller- Ø d ₁ mm	Pin Ø mm	Width over Pin b ₄ mm	Projection over Link b ₇ ²⁾ mm	Breaking Load min. N	Weight kg/m
		mm	inch							
05 B-1	100 668 00	8,0	x 3,0	4,77	5,00	2,31	8,6	3,1	4400	0,20
06 B-1 ¹⁾	101 660 00 ¹⁾	9,525	x 5,72	8,53	6,35	3,28	13,5	3,3	8900	0,41
08 B-1	105 660 00	12,7	x 7,75	11,30	8,51	4,45	17,0	3,9	17800	0,69
10 B-1	106 660 00	15,875	x 9,65	13,28	10,16	5,08	19,6	4,1	22200	0,93
12 B-1	107 660 00	19,05	x 11,68	15,62	12,07	5,72	22,7	4,6	28900	1,15
16 B-1	108 660 00	25,4	x 17,02	25,45	15,88	8,28	36,1	5,4	60000	2,71
20 B-1	109 660 00	31,75	x 19,56	29,01	19,05	10,19	43,2	6,1	95000	3,70
24 B-1	110 660 00	38,1	x 25,4	37,92	25,40	14,63	53,4	6,6	160000	7,10

¹⁾ With straight link plates.

²⁾ Maximum values at the connecting link.

Attention please: Packing Unit 5m

If special lengths are needed, please tell us the length and the number of links (uneven number!). Connecting links have to be ordered separately.

Connecting Links for Single-Strand Roller Chains, similar to DIN ISO 606 (formerly DIN 8187), Nickel-Plated

Material: Special chain steel, nickel-plated. **Attention please:** Product numbers marked with * are in packing units of 5 pieces.

Ordering Details: e.g.: Product No. 100 668 03, Connecting Link No.11/E, 05 B-1, nickel-plated



No. 11/E: Connecting link with spring clip



No. 12/L: Cranked link with cottered pin



No. 4/B: Inner Link

DIN ISO No.	Product No. Connecting Link No. 11/E	Weight g	Product No. Cranked No. 12/L ¹⁾	Weight g	Product No. Inner Link No. 4/B	Weight g
06 B-1	101 660 03*	4	101 660 04	4	101 660 01	4
08 B-1	105 660 03*	7	105 660 04	10	105 660 01	9
10 B-1	106 660 03	13	106 660 04	15	106 660 01	16
12 B-1	107 660 03	14	107 660 04	25	107 660 01	26
16 B-1	108 660 03	65	108 660 04	81	108 660 01	72
20 B-1	109 660 03	115	109 660 04	145	109 660 01	129
24 B-1	110 660 03 ²⁾	286	110 660 04	293	110 660 01	268

¹⁾ With cranked links power and breaking loads are reduced by 20%.

²⁾ With cottered pin.

* Delivery in packing units of 5 pieces.