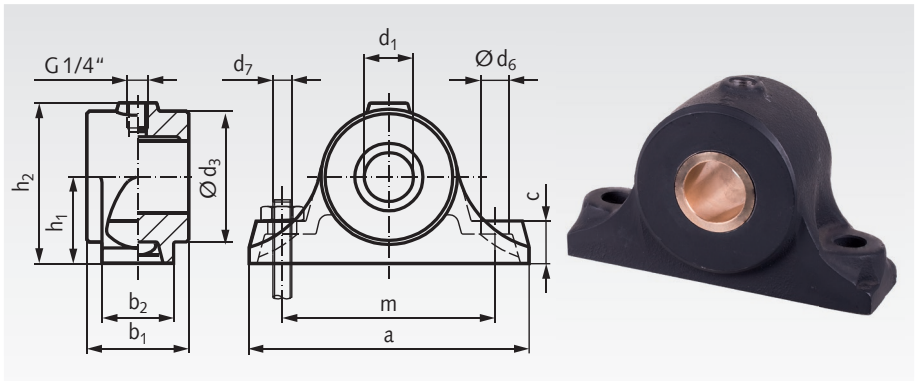


## Heavy-Duty Pillow Block Bearings DIN 504 Design A, with Red Brass Bush

Material: Grey Cast Iron GG25 (GJL-250).  
Bush Rg7 (G-CuSn7ZnPb).

Bore Tolerance: ISO D10.



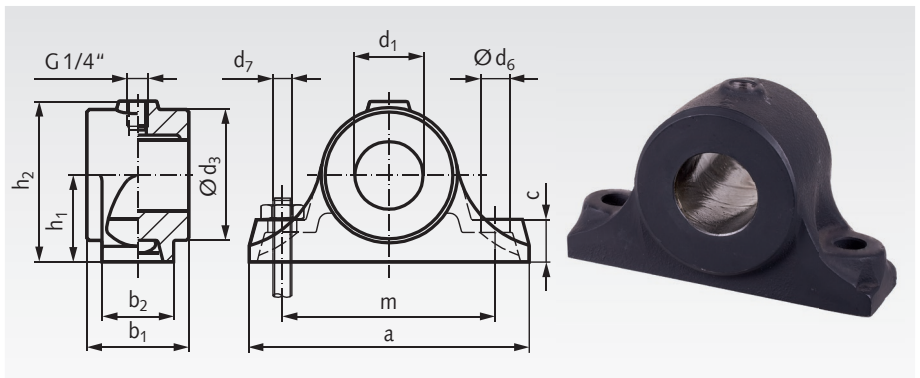
Ordering Details: e.g.: Product No. 620 130 00,  
Pillow Block Bearing DIN 504 A, 30 mm Bore

| Product No. | d <sub>1</sub><br>mm | a<br>mm | b <sub>1</sub><br>mm | b <sub>2</sub><br>mm | c<br>mm | d <sub>3</sub><br>mm | d <sub>6</sub><br>mm | d <sub>7</sub><br>mm | h <sub>1</sub><br>mm | h <sub>2</sub><br>mm | m<br>mm | Weight<br>kg |
|-------------|----------------------|---------|----------------------|----------------------|---------|----------------------|----------------------|----------------------|----------------------|----------------------|---------|--------------|
| 620 130 00  | 30                   | 160     | 60                   | 45                   | 25      | 80                   | 15                   | M12                  | 50                   | 95                   | 120     | 3,0          |
| 620 140 00  | 40                   | 190     | 70                   | 50                   | 30      | 90                   | 19                   | M16                  | 60                   | 110                  | 140     | 4,2          |
| 620 150 00  | 50                   | 220     | 80                   | 55                   | 35      | 100                  | 24                   | M20                  | 70                   | 125                  | 160     | 5,5          |
| 620 160 00  | 60                   | 240     | 90                   | 60                   | 35      | 120                  | 24                   | M20                  | 80                   | 145                  | 180     | 8,3          |
| 620 170 00  | 70                   | 270     | 100                  | 70                   | 45      | 140                  | 28                   | M24                  | 90                   | 165                  | 210     | 11,6         |
| 620 180 00  | 80                   | 300     | 100                  | 80                   | 45      | 160                  | 28                   | M24                  | 100                  | 185                  | 240     | 17,0         |

## Heavy-Duty Pillow Block Bearings DIN 504 Design B, without Bush

Material: Grey Cast Iron GG25 (GJL-250).

Bore Tolerance: ISO D7.



Ordering Details: e.g.: Product No. 620 220 00,  
Pillow Block Bearing DIN 504 B, 20 mm Bore

| Product No. | d <sub>1</sub><br>mm | a<br>mm | b <sub>1</sub><br>mm | b <sub>2</sub><br>mm | c<br>mm | d <sub>3</sub><br>mm | d <sub>6</sub><br>mm | d <sub>7</sub><br>mm | h <sub>1</sub><br>mm | h <sub>2</sub><br>mm | m<br>mm | Weight<br>kg |
|-------------|----------------------|---------|----------------------|----------------------|---------|----------------------|----------------------|----------------------|----------------------|----------------------|---------|--------------|
| 620 220 00  | 20                   | 110     | 50                   | 35                   | 18      | 45                   | 12                   | M10                  | 30                   | 56                   | 75      | 1,3          |
| 620 225 00  | 25                   | 140     | 60                   | 40                   | 25      | 60                   | 15                   | M12                  | 40                   | 75                   | 100     | 2,0          |
| 620 230 00  | 30                   | 140     | 60                   | 40                   | 25      | 60                   | 15                   | M12                  | 40                   | 75                   | 100     | 2,0          |
| 620 235 00  | 35                   | 160     | 60                   | 45                   | 25      | 80                   | 15                   | M12                  | 50                   | 95                   | 120     | 3,0          |
| 620 240 00  | 40                   | 160     | 60                   | 45                   | 25      | 80                   | 15                   | M12                  | 50                   | 95                   | 120     | 3,0          |
| 620 245 00  | 45                   | 190     | 70                   | 50                   | 30      | 90                   | 19                   | M16                  | 60                   | 110                  | 140     | 4,2          |
| 620 250 00  | 50                   | 190     | 70                   | 50                   | 30      | 90                   | 19                   | M16                  | 60                   | 110                  | 140     | 4,2          |
| 620 260 00  | 60                   | 220     | 80                   | 55                   | 35      | 100                  | 24                   | M20                  | 70                   | 125                  | 160     | 5,5          |
| 620 270 00  | 70                   | 240     | 90                   | 60                   | 35      | 120                  | 24                   | M20                  | 80                   | 145                  | 180     | 8,3          |
| 620 280 00  | 80                   | 270     | 100                  | 70                   | 45      | 140                  | 28                   | M24                  | 90                   | 165                  | 210     | 11,6         |



Lubricators page 854.