

Slip Shafts with Joints PWR, Stainless Steel

Material: Stainless steel 1.4301 (X5CrNi1810, AISI 304).
Splined shaft cold drawn.

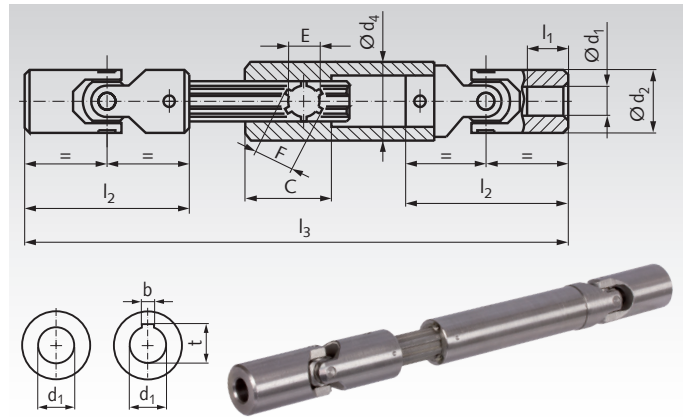


Max. operating angle per joint 45°.

Optionally without or with keyway DIN 6885-1, on both sides.

Other lengths on request.

Note: The joints must be aligned correctly. For this, there are two markings on the product. The markings must be arranged next to each other. See page 386.



Ordering Details: e.g.: Product No. 631 998 20, Slip shaft with joints PWR, 10 mm Bores, without Keyway

| Product No. without keyw. | Product No. with keyway | d ₁ ^{H7} mm | d ₂ mm | d ₄ mm | l ₁ mm | l ₂ mm | l ₃ min. mm | l ₃ max. mm | C mm | E mm | F mm | b ^{J59} mm | t mm | perm. max. Torques at different Speeds | | | Weight kg |
|---------------------------|-------------------------|---------------------------------|-------------------|-------------------|-------------------|-------------------|------------------------|------------------------|------|------|------|---------------------|------|--|--------------------------|--------------------------|-----------|
| | | | | | | | | | | | | | | 100 min ⁻¹ Nm | 400 min ⁻¹ Nm | 800 min ⁻¹ Nm | |
| 631 998 20 | 631 998 20N | 10 | 22 | 21,2 | 25 | 76 | 215 | 245 | 30 | 11 | 14 | 3 | 11,4 | 18,4 | 9,6 | 5,2 | 0,99 |
| 631 998 26 | 631 998 26N | 12 | 25 | 26,5 | 29 | 86 | 240 | 270 | 35 | 13 | 16 | 4 | 13,8 | 31,5 | 12,0 | 8,7 | 0,76 |
| 631 998 29 | 631 998 29N | 14 | 29 | 26,5 | 30 | 90 | 250 | 280 | 35 | 13 | 16 | 5 | 16,3 | 50 | 26,4 | 18,9 | 0,92 |
| 631 998 32 | 631 998 32N | 16 | 32 | 32,5 | 30 | 95 | 280 | 330 | 40 | 16 | 20 | 5 | 18,3 | 68 | 42 | 25,9 | 1,35 |
| 631 998 37 | 631 998 37N | 18 | 37 | 32,5 | 35 | 108 | 305 | 355 | 40 | 16 | 20 | 6 | 20,8 | 114 | 53 | - | 1,79 |
| 631 998 40 | 631 998 40N | 20 | 40 | 41,5 | 32 | 108 | 315 | 365 | 48 | 21 | 25 | 6 | 22,8 | 178 | 70 | - | 2,41 |
| 631 998 47 | 631 998 47N | 22 | 47 | 47,5 | 38 | 127 | 355 | 405 | 48 | 21 | 25 | 6 | 24,8 | 219 | 88 | - | 3,75 |
| 631 998 50 | 631 998 50N | 25 | 50 | 47,5 | 44 | 140 | 380 | 430 | 48 | 26 | 32 | 8 | 28,3 | 288 | 108 | - | 4,33 |

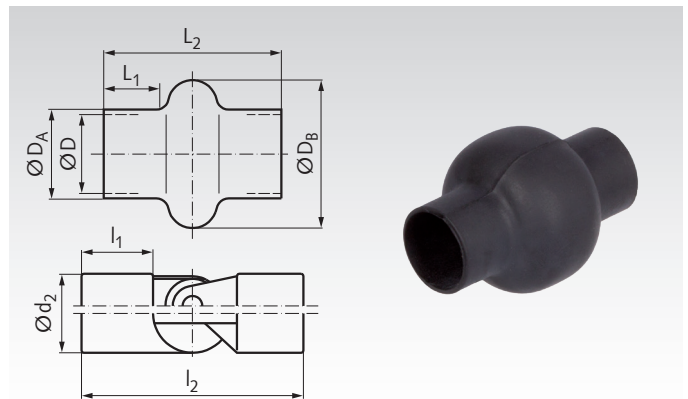
Bellows FSG for Single-Universal Joints

Material: NBR, black. Hardness about 45 Shore A.
Mineral-oil resistant.

Single-fold bellows are used to protect ball and universal joints.

The shaft lengths l₁ and l₂ are estimated dimensions.

To securely fix the bellows on the joints, the connections should be fixed with hose fittings.



Ordering Details: e.g.: Product No. 630 516 00, Bellow FSG 16 x 32

| Product No. | Nominal Size | Bellow Dimensions ≈ | | | | | | Weight g | Joint Dimensions ≈ | | | Recommended Hose Clamps ¹⁾ | | |
|-------------|--------------|---------------------|-------------------|-------------------|-------------------|-------------------|-------------------|----------|--------------------|-------------------|-------------------------|---------------------------------------|----------|--|
| | | D mm | D _A mm | D _B mm | L ₁ mm | L ₂ mm | d ₂ mm | | l ₁ mm | l ₂ mm | Product No. zinc-plated | Product No. stainless | Weight g | |
| 630 516 00 | 16 x 32 | 16 | 19,0 | 35 | 9,0 | 32 | 4 | 16 | 9 | 34 | - | - | - | |
| 630 518 00 | 18 x 38 | 18 | 20,5 | 37 | 14,0 | 41 | 6 | 18 | 11 | 40 | 638 110 27 | 638 140 27 | 14 | |
| 630 520 00 | 20 x 56 | 20 | 22,5 | 39 | 14,0 | 57 | 8 | 20 | 14 | 50 | 638 110 27 | 638 140 27 | 14 | |
| 630 522 00 | 22 x 40 | 22 | 24,5 | 43 | 12,0 | 40 | 6 | 22 | 13 | 48 | 638 110 32 | 638 140 32 | 15 | |
| 630 525 00 | 25 x 66 | 25 | 27,5 | 44 | 15,0 | 66 | 12 | 25 | 22 | 74 | 638 110 32 | 638 140 32 | 15 | |
| 630 526 00 | 26 x 45 | 26 | 28,5 | 50 | 12,5 | 45 | 8 | 26 | 15 | 56 | 638 110 32 | 638 140 32 | 15 | |
| 630 528 00 | 28 x 58 | 28 | 30,5 | 50 | 17,0 | 58 | 10 | 28 | 20 | 70 | 638 110 35 | 638 140 35 | 15 | |
| 630 529 00 | 29 x 50 | 29 | 31,5 | 52 | 17,0 | 53 | 10 | 29 | 17 | 60 | 638 110 35 | 638 140 35 | 15 | |
| 630 532 00 | 32 x 60 | 32 | 35,0 | 57 | 20,5 | 60 | 14 | 32 | 19 | 68 | 638 110 40 | 638 140 40 | 16 | |
| 630 533 00 | 32 x 75 | 32 | 34,5 | 56 | 27,0 | 75 | 14 | 32 | 23 | 80 | 638 110 40 | 638 140 40 | 16 | |
| 630 536 00 | 36 x 82 | 36 | 38,5 | 63 | 30,0 | 84 | 20 | 36 | 26 | 90 | 638 110 50 | 638 140 50 | 17 | |
| 630 540 00 | 42 x 75 | 42 | 45,0 | 70 | 25,0 | 75 | 26 | 40 | 29 | 100 | 638 110 50 | 638 140 50 | 17 | |
| 630 545 00 | 47 x 90 | 47 | 50,0 | 75 | 31,0 | 90 | 28 | 45 | 31 | 110 | 638 110 60 | 638 140 60 | 19 | |
| 630 550 00 | 52 x 95 | 52 | 55,0 | 87 | 35,0 | 95 | 38 | 50 | 36 | 125 | 638 110 60 | 638 140 60 | 19 | |
| 630 555 00 | 58 x 95 | 58 | 61,0 | 97 | 34,0 | 95 | 48 | 55 | 45 | 120 | 638 110 70 | 638 140 70 | 20 | |
| 630 570 00 | 70 x 96 | 70 | 73,0 | 121 | 33,0 | 96 | 68 | 70 | 56 | 140 | 638 110 80 | 638 140 80 | 22 | |

¹⁾ See page K43 N1.