

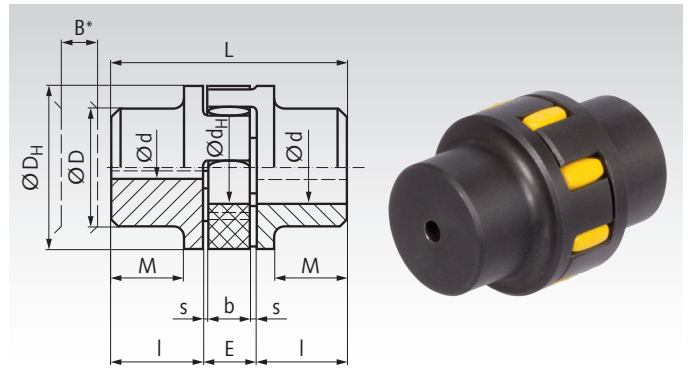
Elastic Couplings RNG

Material: Coupling hubs: Grey Cast Iron GG25 (GJL-250).
Spider (insert): Polyurethane, hardness 92°A Shore (yellow).
Spare part plastic spider available in 92°A (yellow), 98°A (red) or 64°D (green).

Couplings are pre-bored ex stock.

Customized bores and feather-key grooves available at extra charge.

Temperature range: -40°C to +90°C.



Ordering Details: e.g.: Product No. 605 300 00, Coupling RNG


Product No.	Size	Torque nominal Nm	Torque max. Nm	Bore d pre-drilled mm	Bore d max. mm	max. Speed at 30m/s min ⁻¹	Torsional Angle at max. Nm	B* mm	l mm	E mm	s mm	b mm	L mm	M mm	D _H mm	D mm	d _H mm	Weight ¹⁾ kg
605 300 00	19	10	20	5	19	14000	5	13	25	16	2,0	12	66	20	40	32	18	0,41
605 301 00	24	35	70	7	24	10600	5	15	30	18	2,0	14	78	24	55	40	27	0,73
605 302 00	28	95	190	9	28	8500	5	16	35	20	2,5	15	90	28	65	48	30	1,24
605 303 00	38	190	380	13	38	7100	5	19	45	24	3,0	18	114	37	80	66	38	2,1
605 304 00	42	265	530	13	42	6000	5	21	50	26	3,0	20	126	40	95	75	46	3,2
605 305 00	48	310	620	16	48	5600	5	22	56	28	3,5	21	140	45	105	85	51	4,4
605 307 00	55	410	820	16	55	4750	5	23	65	30	4,0	22	160	52	120	98	60	6,6
605 308 00	65	625	1250	18	70	4250	5	27	75	35	4,5	26	185	61	135	115	68	10,1
605 309 00	75	1280	2560	25	80	3550	5	32	85	40	5,0	30	210	69	160	135	80	16,0
605 310 00	90	2400	4800	29	97	2800	5	36	100	45	5,5	34	245	81	200	160	100	27,5
605 311 00	100	3300	6600	29	115	2500	5	40	110	50	6,0	38	270	89	225	180	113	34,5

* B is the average dimension by which, e.g., a driven or driving machine has to be moved in order to demount one of the coupled units in radial direction.

¹⁾ Weights refer to max. customized bore without keyways.

Spare part spiders page 372

Elastic Couplings RNI, Stainless Steel

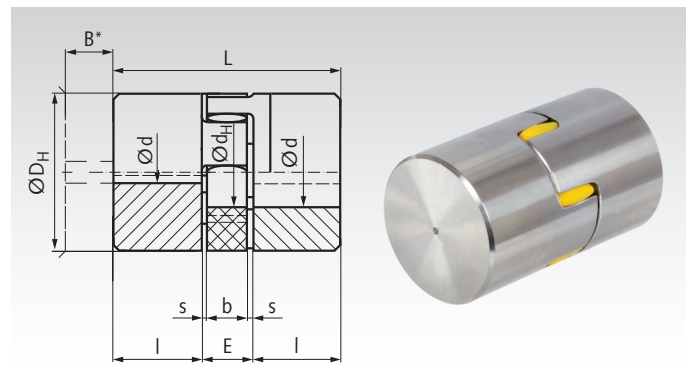
Material: Coupling hubs: Stainless steel 1.4305 (AISI 303).
Spider (insert): Polyurethane, hardness 92°A Shore (yellow). 

Spare part plastic spider available in 92°A (yellow), 98°A (red) or 64°D (green).

Couplings are pre-bored ex stock.

Custom bores or feather keyways available at extra charge.

Temperature range: -20°C to +80°C.



Ordering Details: e.g.: Product No. 605 992 00, Coupling RNI, without Bore

Product No.	Size	Torque nominal Nm	Torque peak Nm	d mm	d max. mm	max. Speed at 30 m/s min ⁻¹	Torsional angle at max. Nm Degrees	B* mm	l mm	E mm	s mm	b mm	L mm	D _H mm	d _H mm	Weight kg
605 992 00	19	10	20	-	25	14000	5	13	25	16	2,0	12	66	40	18	0,44
605 992 01	24	35	70	-	35	10600	5	15	30	18	2,0	14	78	55	27	0,78
605 992 02	28	95	190	-	40	8500	5	16	35	20	2,5	15	90	65	30	1,33
605 992 03	38	190	380	-	48	7100	5	19	45	24	3,0	18	114	80	38	2,84
605 992 04	42	265	530	-	55	6000	5	21	50	26	3,0	20	126	95	46	3,34
605 992 05	48	310	620	-	62	5600	5	22	56	28	3,5	21	140	105	51	5,66

* B is the average dimension by which, e.g., a driven or driving machine has to be moved in order to demount one of the coupled units in radial direction.

¹⁾ Weights refer to max. customized bore without keyways.

Spare part spiders page 372

Operating Instructions at www.maedler.de in the section Downloads