

Highly Elastic Couplings PU

Materials: Polyester, hubs stainless steel 1.4305 (AISI 303).
Stainless steel screws.

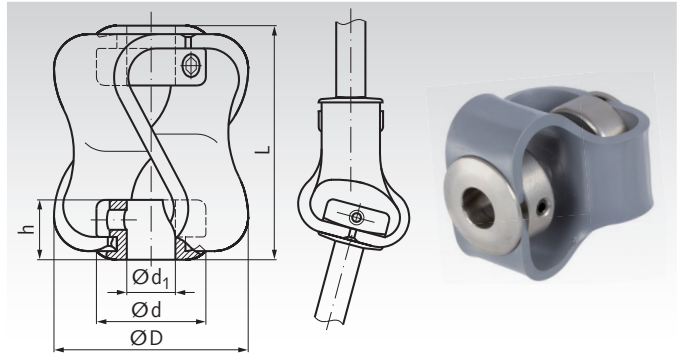


These torsionally-stiff couplings made in one-part from flexible plastic are easily mounted.

They show very good chemical resistance against acids, bases, solvents, greases and oils. They have a very high tear resistance, are highly flexible at low temperatures, have good shock and vibration damping properties and are corrosion resistant.

Max. speed: 3000 min⁻¹.

Temperature range: -40°C to +100°C.

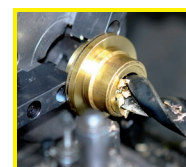


Ordering Details: e.g.: Product No. 603 992 01, Highly Elastic Coupling PU, stainless steel

Product No. stainless steel	torque ¹⁾	Bore ²⁾	Ø D mm	max. Length L mm	Hub-Ø d mm	Hub Length h mm	max. Misalignment			Screw size	Weight g
	Nm	d ₁ ^{+0,03} mm					Angular Degrees	Radial mm	Axial mm		
603 992 01	0,5 (0,8)	6 (10)	27	27	18	7,9	10	2,6	4,5	M3	25
603 992 02	1,8 (3)	10 (12,7)	48	48	25	12,7	15	3,2	7,5	M4	92
603 992 05	5 (8)	12 (16)	54	55	28	16	15	3,2	8,5	M5	124
603 992 10	10 (18)	14 (16)	56	56	28	16	15	3,2	11	M6	136

¹⁾ Max. torque at max. shaft displacement. The bracketed values are valid for a shaft displacement of 1°, 0.5mm radial and 2mm axial.

²⁾ Standard bore. Other bore sizes on request. Bracketed values: Max. possible bores.



**Reworking within
24h-service possible.
Custom made parts
on request.**