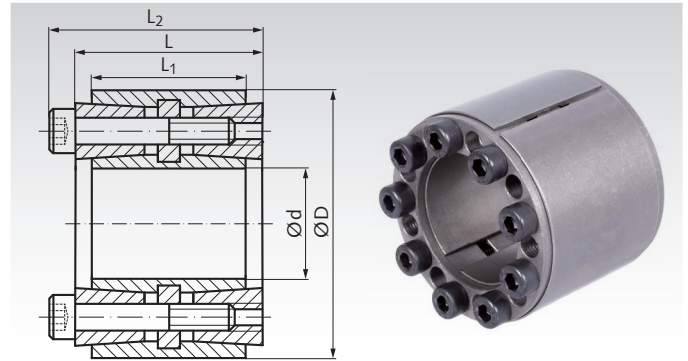


Locking Assemblies COM-LLH

Material: Steel.

- For fixing a hub (e.g. sprocket or similar) on a shaft.
- For very high torques.
- Very good distribution of pressure.
- High resistant against bending forces.
- Self-centering.
- Self-locking.
- No axial movement during mounting.



Ordering Details: e.g.: Product No. 615 580 42, Locking Assembly COM-LLH, 42 mm

Product No.	d mm	D mm	L mm	L ₁ mm	L ₂ mm	at T _A transmittable		Surface Pressure		Screws DIN 912 12.9 Number x Size	T _A Nm	Weight kg
						T Nm	F _{ax} kN	Shaft P _w N/mm ²	Hub P _N N/mm ²			
615 580 42	42	75	64	56	72	3290	147	175	103	8 x M8	41	1,25
615 580 45	45	75	64	56	72	3500	147	157	95	8 x M8	41	1,30
615 580 48	48	80	64	56	72	3670	149	143	90	8 x M8	41	1,50
615 580 50	50	80	64	56	72	3800	161	141	91	8 x M8	41	1,40
615 580 55	55	85	64	56	72	4430	167	140	88	8 x M8	41	1,50
615 580 60	60	90	64	56	72	5590	182	130	96	10 x M8	41	1,50
615 580 65	65	95	64	56	72	6020	182	134	91	10 x M8	41	1,60
615 580 70	70	110	78	70	88	10200	290	162	100	10 x M10	83	3,0
615 580 75	75	115	78	70	88	11660	308	157	101	10 x M10	83	3,1
615 580 80	80	120	78	70	88	14000	351	166	109	12 x M10	83	3,5
615 580 85	85	125	78	70	88	16200	374	170	113	12 x M10	83	3,5
615 580 90	90	130	78	70	88	16780	380	159	107	12 x M10	83	3,8
615 580 95	95	135	78	70	88	18410	389	158	107	12 x M10	83	4,0
615 581 00	100	145	100	90	112	26600	533	158	109	12 x M12	145	6,0
615 581 10	110	155	100	90	112	29200	533	142	101	12 x M12	145	6,2
615 581 20	120	165	100	90	112	38400	641	157	114	14 x M12	145	6,8

More sizes up to d=600mm for 977,000Nm are available.

Price and delivery time on request.

T = transmittable torque at F_{ax} = 0.
 F_{ax} = transmittable axial force at T = 0.
 P_w = surface pressure onto the shaft.
 P_N = surface pressure onto the hub.
 T_A = fastening torque of the screws.

Hub Calculation and Selection Tool

on the Internet at www.maedler.de

*in the section **MÄDLER®-Tools***

Fit

Shaft h8, Hub H8.
 Surface roughness R_z
 max. 12.5 µm.

Mounting

Slightly oil the locking assembly before mounting, do not use molybdenum disulphide or grease. Tighten the screws evenly and crosswise in several steps.

Demounting

Remove all tensioning screws and screw them into the (usually unused) forcing thread of the front flange, until the flange is released.