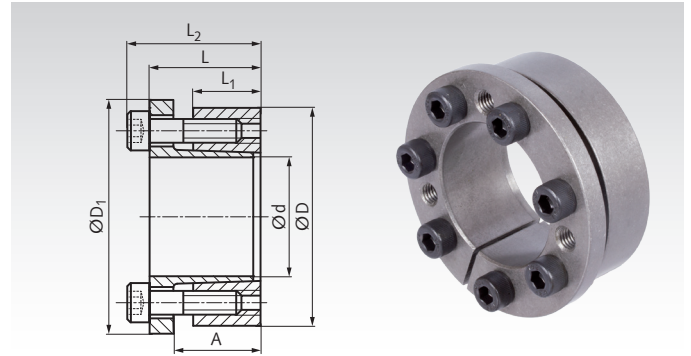


## Locking Assemblies COM-CB2

Material: Steel.

- For fixing a hub (e.g. spur toothed gear or similar) on a shaft.
- For medium high torques.
- Self-centering.
- Self-locking.
- No axial movement during mounting.



Ordering Details: e.g.: Product No. 615 575 18, Locking Assembly COM-CB2, 18 mm

Product No.	d mm	D mm	L mm	A mm	L <sub>1</sub> mm	L <sub>2</sub> mm	D <sub>1</sub> mm	T Nm	F <sub>ax</sub> kN	P <sub>w</sub> N/mm <sup>2</sup>	P <sub>N</sub> N/mm <sup>2</sup>	Screw 12.9 Number x Size	T <sub>A</sub> Nm	Weight kg
615 575 18	18	47	28	22	17	34	54	270	28	212	94	5 x M6	17	0,30
615 575 19	19	47	28	22	17	34	54	274	28	215	93	5 x M6	17	0,30
615 575 20	20	47	28	22	17	34	54	280	28	218	94	5 x M6	17	0,32
615 575 22	22	47	28	22	17	34	54	300	28	200	95	5 x M6	17	0,32
615 575 24	24	50	28	22	17	34	57	330	28	178	89	6 x M6	17	0,35
615 575 25	25	50	28	22	17	34	57	420	34	210	105	6 x M6	17	0,32
615 575 28	28	55	28	22	17	34	62	480	34	196	98	6 x M6	17	0,37
615 575 30	30	55	28	22	17	34	62	510	35	177	96	6 x M6	17	0,37
615 575 32	32	60	28	22	17	34	67	730	40	222	116	8 x M6	17	0,39
615 575 35	35	60	28	22	17	34	67	770	44	194	112	8 x M6	17	0,39
615 575 38	38	65	28	22	17	34	72	830	45	181	103	8 x M6	17	0,46
615 575 40	40	65	28	22	17	34	72	940	50	182	109	8 x M6	17	0,46
615 575 42	42	75	33	25	20	41	82	1590	70	234	130	7 x M8	41	0,72
615 575 45	45	75	33	25	20	41	82	1630	70	213	124	7 x M8	41	0,70
615 575 48	48	80	33	25	20	41	87	1740	70	198	119	7 x M8	41	0,80
615 575 50	50	80	33	25	20	41	87	1830	80	195	120	7 x M8	41	0,77
615 575 55	55	85	33	25	20	41	92	2210	80	192	125	8 x M8	41	0,80
615 575 60	60	90	33	25	20	41	97	2410	80	178	120	8 x M8	41	0,88
615 575 65	65	95	33	25	20	41	102	3090	90	192	131	9 x M8	41	0,93
615 575 70	70	110	40	30	24	50	117	4620	130	208	134	8 x M10	83	1,60
615 575 75	75	115	40	30	24	50	122	4900	130	191	123	8 x M10	83	1,76
615 575 80	80	120	40	30	24	50	127	5000	130	176	119	8 x M10	83	1,81
615 575 85	85	125	40	30	24	50	132	6300	150	195	135	9 x M10	83	1,90
615 575 90	90	130	40	30	24	50	137	6800	150	187	131	9 x M10	83	2,0
615 575 95	95	135	40	30	24	50	142	7700	160	191	132	10 x M10	83	2,1
615 576 00	100	145	44	32	26	56	152	9800	190	202	141	8 x M12	145	2,8

More sizes up to d=200mm for 48,000Nm are available.

Price and delivery time on request.

T = transmittable torque at  $F_{ax} = 0$ .

$F_{ax}$  = transmittable axial force at  $T = 0$ .

$P_w$  = surface pressure onto the shaft.

$P_N$  = surface pressure onto the hub.

$T_A$  = fastening torque of the screws.

### Fit

Shaft h8, Hub H8.  
Surface roughness  $R_z$   
max. 12.5  $\mu\text{m}$ .

### Mounting

Slightly oil the locking assembly before mounting, do not use molybdenum disulphide or grease. Tighten the screws evenly and crosswise in several steps.

### Demounting

Remove all tensioning screws and screw them into the (usually unused) forcing thread of the front flange, until the flange is released.