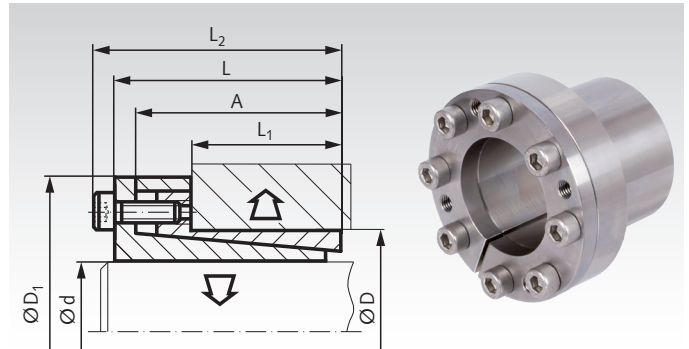


Locking Assemblies COM-B, Stainless

Material: Stainless steel 1.4401 (AISI 316).



- For fixing a hub (e.g. timing belt pulley or similar) on a shaft.
- For low torques.
- Also suitable for small hub diameters.
- Self-centering.
- Self-locking.
- No axial movement during mounting.



Ordering Details: e.g.: Product No. 615 995 10, Locking Assembly COM-B, stainless, 10 mm

Product No.	d mm	D mm	L mm	A mm	L ₁ mm	L ₂ mm	D ₁ mm	T Nm	F _{ax} kN	P _w N/mm ²	P _N N/mm ²	Screws A2-70 Number x Size	T _A Nm	Weight kg
615 996 10	10	16	26	23	14	30	28	22	4	82	51	4 x M4	2	0,12
615 996 12	12	18	26	23	14	30	32	26	4	69	46	4 x M4	2	0,14
615 996 14	14	23	26	23	14	30	38	30	4	59	36	4 x M4	2	0,15
615 996 15	15	24	36	29	16	42	45	73	10	107	67	4 x M6	8	0,22
615 996 16	16	24	36	29	16	42	45	78	10	101	67	4 x M6	8	0,22
615 996 18	18	26	38	31	18	44	47	87	10	79	55	4 x M6	8	0,23
615 996 19	19	27	38	31	18	44	49	92	10	75	53	4 x M6	8	0,25
615 996 20	20	28	38	31	18	44	50	97	10	71	51	4 x M6	8	0,25
615 996 22	22	32	45	38	25	51	54	105	10	47	32	4 x M6	8	0,32
615 996 24	24	34	45	38	25	51	56	175	15	64	45	6 x M6	8	0,34
615 996 25	25	34	45	38	25	51	56	180	15	62	45	6 x M6	8	0,35
615 996 28	28	39	45	38	25	51	61	200	15	55	40	6 x M6	8	0,41
615 996 30	30	41	45	38	25	51	62	220	15	51	38	6 x M6	8	0,41
615 996 32	32	43	45	38	25	51	65	310	19	64	48	8 x M6	8	0,48
615 996 35	35	47	52	45	32	58	69	340	19	46	34	8 x M6	8	0,55
615 996 38	38	50	52	45	32	58	72	370	19	42	32	8 x M6	8	0,58
615 996 40	40	53	52	45	32	58	75	390	19	40	30	8 x M6	8	0,63
615 996 45	45	59	70	62	45	78	86	820	36	48	36	8 x M8	18	1,03
615 996 50	50	65	70	62	45	78	92	910	36	43	33	8 x M8	18	1,27

T = transmittable torque at F_{ax} = 0.
 F_{ax} = transmittable axial force at T = 0.
 P_w = surface pressure onto the shaft.
 P_N = surface pressure onto the hub.
 T_A = fastening torque of the screws.

*Hub Calculation and Selection Tool
 on the Internet at www.maedler.de
 in the section MÄDLER®-Tools*

Fit

Shaft h8, Hub H8.
 Surface roughness R_z max. 16 µm.

Mounting

Slightly oil the locking assembly before mounting, do not use molybdenum disulphide or grease. Tighten the screws evenly and crosswise in several steps.

Demounting

Remove all tensioning screws and screw them into the (usually unused) forcing thread of the front flange, until the flange is released.