

Precision Worm Gear Sets - Right Hand (Worm Gears and Hollow Worms)

Pressure angle 15°.

Material:

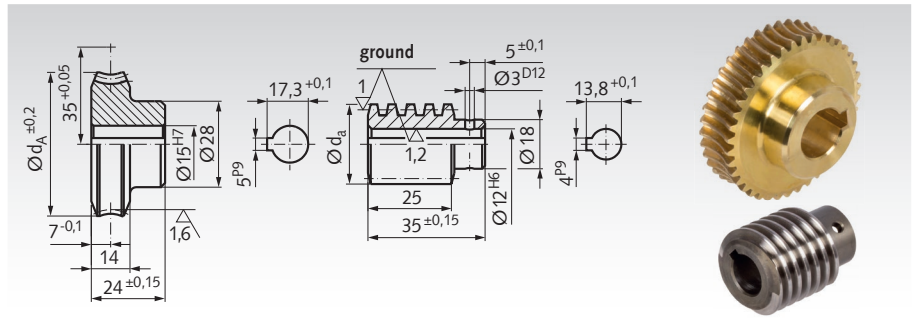
Worm gear: special brass
CuZn37Mn3Al2PbSi/So.

Worm: 11SMnPb37 (1.0715), inspected for fissures, case hardened HV620-700, ground. Can be built into gear systems, no reworking required, thus short assembly times.

Ordering Details:e.g.:

Product No. 322 002 00, Prec. Worm Gear A 35

Product No. 322 102 00, Prec. Worm A 35



Centre Distance in Casing 35 mm + 0.05

Product No. Worm Gear	Product No. Worm	Transmission	Module	No. of Teeth	No. of Threads	Lead Angle	Worm Gear $d_A \pm 0.2$ mm	Worm d_a mm	Maximum Torque at 2800min ⁻¹ Nm	** η	Weight Worm Gear g	Weight Worm g
322 002 00	322 102 00	*2,78 : 1	1,5	25	9	31° 55'	46,76	29,20	6,6	0,81	178	88
322 005 00	322 105 00	5 : 1	1,75	25	5	22° 52'	53,00	26,02	15,3	0,78	220	62
322 007 00	322 107 00	7,25 : 1	1,5	29	4	13° 47'	50,00	28,18	14,7	0,71	195	80
322 008 00	322 108 00	8 : 1	1,9	24	3	14° 25'	53,00	26,69	16,7	0,71	210	65
322 010 00	322 110 00	10 : 1	1,5	30	3	10° 43'	51,00	27,20	16,0	0,66	200	73
322 012 00	322 112 00	12 : 1	1,9	24	2	9° 11'	52,00	27,60	16,1	0,63	210	70
322 015 00	322 115 00	15 : 1	1,5	30	2	7°	50,00	27,62	15,3	0,57	198	76
322 020 00	322 120 00	20 : 1	1,15	40	2	5° 33'	50,50	26,08	14,8	0,51	210	70
322 025 00	322 125 00	25 : 1	0,9	50	2	4° 9'	49,00	26,67	12,9	0,44	210	80
322 030 00	322 130 00	30 : 1	1,5	30	1	3° 27'	50,00	27,92	15,0	0,40	196	80
322 040 00	322 140 00	40 : 1	1,15	40	1	2° 45'	50,50	26,21	14,7	0,34	200	70
322 050 00	322 150 00	50 : 1	0,9	50	1	2° 4'	49,00	26,73	12,9	0,28	188	78
322 058 00	322 158 00	58 : 1	0,85	58	1	2° 21'	53,00	22,35	14,5	0,30	200	50
322 090 00	322 190 00	90 : 1	0,5	90	1	1° 9'	49,00	26,00	9,1	0,18	198	79

Precision Worm Gear Sets - Right Hand (Worm Gears and Hollow Worms)

Pressure angle 15°.

Material:

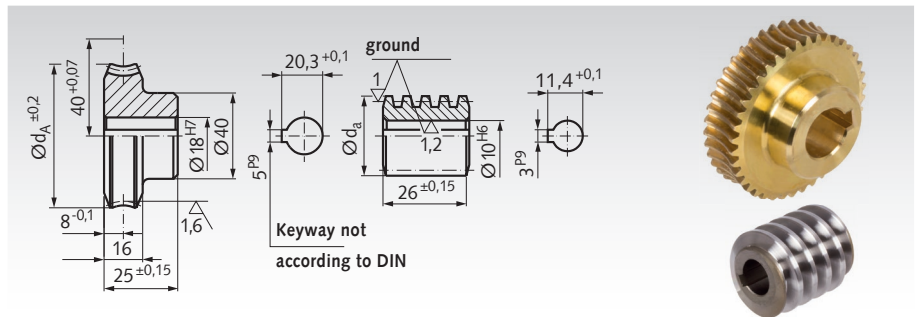
Worm gear: special brass
CuZn37Mn3Al2PbSi/So.

Worm: 11SMnPb37 (1.0715), inspected for fissures, case hardened HV620-700, ground. Can be built into gear systems, no reworking required, thus short assembly times.

Ordering Details:e.g.:

Product No. 322 306 00, Prec. Worm Gear A 40

Product No. 322 406 00, Prec. Worm A 40



Centre Distance in Casing 40 mm + 0.07

Product No. Worm Gear	Product No. Worm	Transmission	Module	No. of Teeth	No. of Threads	Lead Angle	Worm Gear $d_A \pm 0.2$ mm	Worm d_a mm	Maximum Torque at 2800min ⁻¹ Nm	** η	Weight Worm Gear g	Weight Worm g
322 306 00	322 406 00	6,75 : 1	2,0	27	4	21° 19'	64,0	26,00	29,5	0,77	386	58
322 308 00	322 408 00	8 : 1	2,25	24	3	16° 35'	62,5	28,14	27,5	0,74	390	58
322 310 00	322 410 00	10 : 1	1,9	30	3	16° 1'	65,0	24,46	29,5	0,72	402	49
322 312 00	322 412 00	12 : 1	1,5	36	3	10° 21'	60,0	28,05	25,2	0,65	352	81
322 315 00	322 415 00	15 : 1	1,9	30	2	9° 53'	64,0	25,94	28,0	0,64	380	60
322 320 00	322 420 00	20 : 1	1,5	40	2	8° 59'	66,0	22,20	28,9	0,61	428	40
322 325 00	322 425 00	25 : 1	1,15	50	2	5° 58'	62,0	24,45	24,4	0,52	370	60
322 328 00	322 428 00	28 : 1	2,0	28	1	4° 47'	61,5	28,00	28,4	0,47	360	72
322 330 00	322 430 00	30 : 1	2,0	30	1	5° 50'	66,0	23,68	30,1	0,51	480	42
322 335 00	322 435 00	35 : 1	1,75	35	1	5° 26'	67,0	21,98	31,0	0,49	430	36
322 340 00	322 440 00	40 : 1	1,5	40	1	4° 20'	65,0	22,83	28,3	0,44	420	44
322 350 00	322 450 00	50 : 1	1,25	50	1	4° 8'	68,0	19,80	27,0	0,42	450	30
322 356 00	322 456 00	56 : 1	1,0	56	1	2° 23'	59,0	26,00	21,9	0,31	370	40
322 360 00	322 460 00	60 : 1	0,9	60	1	1° 59'	57,5	27,72	19,3	0,28	340	87
322 370 00	322 470 00	70 : 1	0,9	70	1	3° 3'	67,0	18,71	24,1	0,35	460	28
322 375 00	322 475 00	75 : 1	0,75	75	1	1° 48'	60,0	25,25	18,8	0,25	370	72
322 380 00	322 480 00	80 : 1	0,75	80	1	2° 10'	64,0	21,40	20,1	0,28	420	45

* Worm only polished - worm gear with helical gearing.

** The figures stated for the efficiency are only reference values.