

Chain Tensioners SPANN-BOY® TS, for Roller Chains DIN ISO 606 (formerly DIN 8187)

Material: Housing from steel, zinc-plated, black lackered.
Chain rider from ultra-high-molecular polyethylene PE-UHMW.

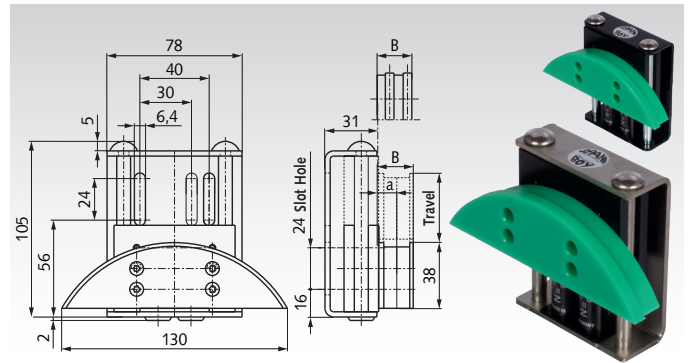
Material Version Stainless: Housing from stainless steel.



These very low, ready-to-install tensioners enable noise reduction and wear reduction at chain drives.

- Needed space below chain only 40 mm.
- With two springs of different force, which can get activated separately or together. So it is possible to adjust three different tensioning forces.
- Usable travel about 40 mm.
- Interchangeable with similar parts of other suppliers.

Temperature range: -20°C to +60°C (short time up to +80°C).



Ordering Details: e.g.: Product No. 140 408 01, Spann-Boy TS, 06 B-1

SPANN-BOY® TS

Product No.	DIN ISO	Pitch Inch	a mm	B mm	Weight g
140 408 01	≤06 B-1	3/8 x 7/32"	10,0	20	460
140 408 05	08 B-1	1/2 x 5/16"	16,5	20	460
140 408 06	10 B-1	5/8 x 3/8"	15,6	20	460
140 408 07	12 B-1	3/4 x 7/16"	14,8	20	460
140 408 21	06 B-2	3/8 x 7/32"	7,5	20	460
140 408 25	08 B-2	1/2 x 5/16"	15,2	32	460
140 408 26	10 B-2	5/8 x 3/8"	11,3	32	500
140 408 30	05 B-3	8mm x 3mm	7,4	20	480
140 408 31	06 B-3	3/8 x 7/32"	9,4	32	480

SPANN-BOY® TS, Stainless

Product No.	STAINLESS DIN ISO	Pitch Inch	a mm	B mm	Weight g
140 409 01	≤06 B-1	3/8 x 7/32"	10,0	20	460
140 409 05	08 B-1	1/2 x 5/16"	16,5	20	460
140 409 06	10 B-1	5/8 x 3/8"	15,6	20	460
140 409 07	12 B-1	3/4 x 7/16"	14,8	20	460
140 409 21	06 B-2	3/8 x 7/32"	7,5	20	460
140 409 25	08 B-2	1/2 x 5/16"	15,2	32	460
140 409 26	10 B-2	5/8 x 3/8"	11,3	32	500
140 409 30	05 B-3	8mm x 3mm	7,4	20	480
140 409 31	06 B-3	3/8 x 7/32"	9,4	32	480

Chain Tensioners SPANN-BOY® TS-EP, for Roller Chains DIN ISO 606 (formerly DIN 8187)

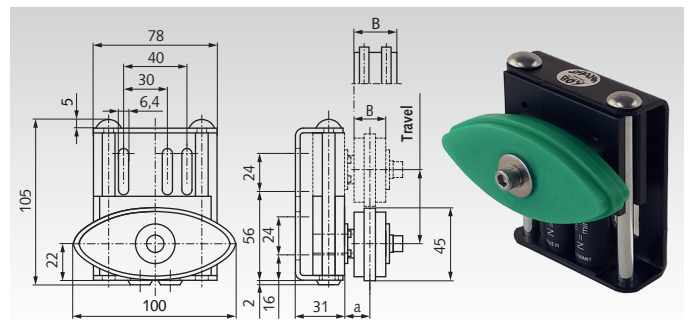
Material: Housing from steel, zinc-plated, black lackered.
Chain rider from ultra-high-molecular polyethylene PE-UHMW.

These ready-to-install chain tensioners enable quiet, low-wear running of roller chains under varying operating conditions, for example at changing angle of the chain drive.

- Needed space below chain only 40 mm.
- With two springs of different force, which can get activated separately or together. So it is possible to adjust three different tensioning forces.
- Usable travel about 40 mm.
- Interchangeable with similar parts of other suppliers.

Temperature range: -20°C to +60°C (short time up to +80°C).

Ordering Details: e.g.: Product No. 140 418 00, Spann-Boy TS-EP, 06 B-1



SPANN-BOY® TS-EP

Product No.	DIN ISO	Pitch Inch	a mm	B mm	Weight g
140 418 00	≤06 B-1	3/8 x 7/32"	17	20	560
140 418 05	08 B-1	1/2 x 5/16"	17	20	560
140 418 06	10 B-1	5/8 x 3/8"	17	20	560
140 418 07	12 B-1	3/4 x 7/16"	17	20	560
140 418 21	06 B-2	3/8 x 7/32"	17	20	560
140 418 25	08 B-2	1/2 x 5/16"	23	32	600
140 418 26	10 B-2	5/8 x 3/8"	23	32	600
140 418 30	05 B-3	8 mm x 3 mm	17	20	560
140 418 31	06 B-3	3/8 x 7/32"	23	32	600

Adjustable Tensioning Forces:

The SPANN-BOY® TS and the SPANN-BOY® TS-EP has two different springs: one with low force and one with high force. These springs can get activated separately or together. So it is possible to adjust three different tensioning forces:

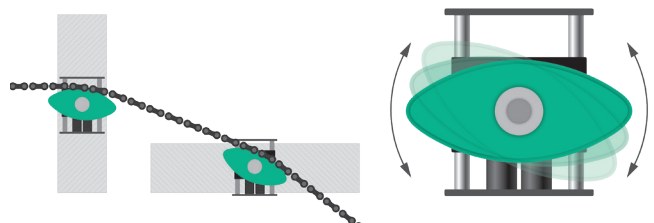
Only the low-force spring activated: 65 - 33 N.

Only the high-force spring activated: 125 - 63 N.

Both springs together activated: 190 - 96 N.

Operating Instructions at www.maedler.de in the section Downloads

Mounting example:



Elliptical, 180° rotating chain slide profile.

If one side of the slider is worn, the slider can be turned to use it's other side.