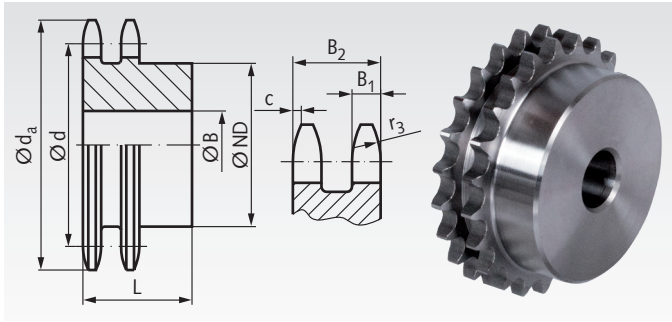


Double-Strand Sprockets, One Sided Hub, ISO 20 B-2



Material: Steel C45, not hardened.
Pre-bored.

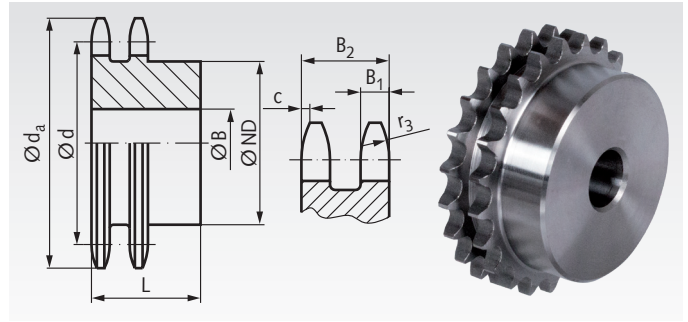
Ordering Details: e.g.: Product No. 129 110 00, ZRS, ISO 20 B-2, 10 Teeth

ISO 20 B-2, Pitch 1 1/4 x 3/4"

$B_1 = 18,5 \text{ mm}$, $B_2 = 54,6 \text{ mm}$, $c = 3,5 \text{ mm}$, $r_3 = 32 \text{ mm}$

Product No. ZRS	Number of teeth	d_a mm	d mm	ND mm	B mm	L mm	Weight kg
129 110 00	10	117,0	102,74	70	20	75	2,85
129 111 00	11	127,0	112,68	80	20	80	3,72
129 112 00	12	137,0	122,68	90	20	80	4,66
129 113 00	13	147,5	132,65	100	20	80	5,70
129 114 00	14	157,6	142,68	110	20	80	6,84
129 115 00	15	167,7	152,72	120	20	80	8,08
129 116 00	16	177,7	162,75	120	25	80	8,90
129 117 00	17	187,7	172,78	120	25	80	9,92
129 118 00	18	197,8	182,85	120	25	80	11,00
129 119 00	19	207,9	192,91	120	25	80	12,16
129 120 00	20	217,9	202,98	120	25	80	13,38
129 121 00	21	228,2	213,04	140	25	80	15,50
129 125 00	25	268,4	253,33	140	25	80	21,36
129 126 00	26	278,6	263,40	150	25	80	23,45
129 130 00	30	318,7	303,75	150	25	80	30,69

Double-Strand Sprockets, One Sided Hub, ISO 24 B-2



Material: Steel C45, not hardened.
Pre-bored.
Sprockets marked with 1) made from St52 with welded in hub.

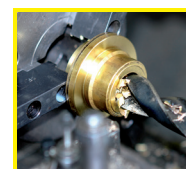
Ordering Details: e.g.: Product No. 129 510 00, ZRS, ISO 24 B-2, 10 Teeth

ISO 24 B-2, Pitch 1 1/2 x 1"

$B_1 = 24,1 \text{ mm}$, $B_2 = 72 \text{ mm}$, $c = 4 \text{ mm}$, $r_3 = 38 \text{ mm}$

Product No. ZRS	Number of teeth	d_a mm	d mm	ND mm	B mm	L mm	Weight kg
129 510 00	10	137,0	123,29	80	25	95	5,01
129 511 00	11	149,0	135,21	90	25	100	6,62
129 512 00	12	161,0	147,22	102	25	100	8,28
129 513 00	13	173,0	159,18	114	25	100	10,13
129 514 00	14	185,0	171,22	128	25	100	12,24
129 515 00	15	197,0	183,26	140	25	100	14,08
129 516 00	16	209,0	195,30	140	25	100	15,88
129 517 00	17	221,0	207,34	150	25	100	17,80
129 518 00	18	233,0	219,42	160	25	100	21,08
129 519 00	19	245,5	231,49	160	25	100	23,26
129 520 00	20	257,5	243,57	160	25	100	25,57
129 525 00	25	319,0	304,00	160	25	100	39,09
129 530 00	30 ¹⁾	379,5	364,50	160	30	100	55,88

Other sprockets and custom-made products on request.



**Reworking within
24h-service possible.
Custom made parts
on request.**