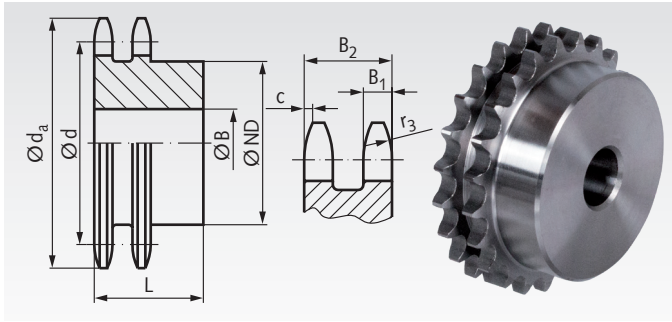


Double-Strand Sprockets ZRS with Hub, ISO 05 B-2



Material: Low-carbon steel, not hardable.
Pre-bored.

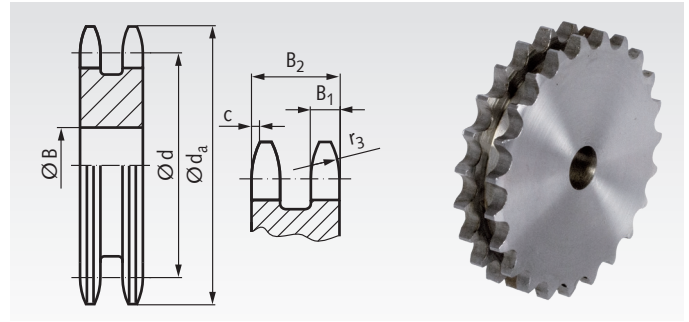
Ordering Details: e.g.: Product No. 120 108 00, ZRS, ISO 05 B-2, 8 Teeth

ISO 05 B-2, Pitch 8 mm

$B_1 = 2.7$ mm, $B_2 = 8.3$ mm, $c = 1.0$ mm, $r_3 = 8$ mm

Product No.	Number of teeth	d_a mm	d mm	ND mm	B mm	L mm	Weight g
120 108 00	8	24,0	20,90	12	8	18	18
120 109 00	9	26,6	23,39	15	8	18	25
120 110 00	10	29,2	25,89	17	8	18	31
120 111 00	11	31,7	28,39	19	10	18	40
120 112 00	12	34,2	30,91	21	10	18	51
120 113 00	13	36,7	33,42	24	10	18	67
120 114 00	14	39,2	35,95	26	10	18	82
120 115 00	15	41,7	38,48	29	10	18	97
120 116 00	16	44,3	41,01	32	10	20	128
120 117 00	17	46,8	43,53	34	10	20	147
120 118 00	18	49,3	46,07	37	10	20	173
120 119 00	19	51,9	48,61	39	10	20	196
120 120 00	20	54,4	51,14	40	10	20	207
120 121 00	21	57,0	53,68	40	10	20	222
120 122 00	22	59,5	56,21	40	10	20	238
120 123 00	23	62,0	58,75	40	10	20	250
120 124 00	24	64,6	61,29	40	10	20	267
120 125 00	25	67,5	63,83	40	10	20	284
120 126 00	26	69,5	66,37	50	12	22	383
120 127 00	27	72,2	68,91	50	12	22	397
120 128 00	28	74,8	71,45	50	12	22	416
120 129 00	29	77,3	73,99	50	12	22	430
120 130 00	30	79,8	76,53	50	12	22	454
120 131 00	31	82,4	79,08	60	12	22	550
120 132 00	32	84,9	81,61	60	12	22	580
120 133 00	33	87,5	84,16	60	12	22	600
120 134 00	34	90,0	86,70	60	12	22	620
120 135 00	35	92,5	89,25	60	12	22	637
120 136 00	36	95,0	91,79	60	12	22	660
120 137 00	37	97,6	94,33	60	12	22	680
120 138 00	38	100,2	96,88	60	12	22	710
120 139 00	39	102,7	99,42	60	12	22	730
120 140 00	40	105,3	101,97	60	12	22	779

Double-Strand plate wheels ZRL, ISO 05 B-2



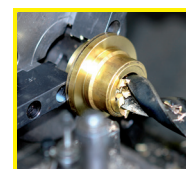
Material: Low-carbon steel, not hardable.
Pre-bored.

Ordering Details: e.g.: Product No. 120 211 00, ZRL, ISO 05 B-2, 11 Teeth

ISO 05 B-2, Pitch 8 mm

$B_1 = 2.7$ mm, $B_2 = 8.3$ mm, $c = 1.0$ mm, $r_3 = 8$ mm

Product No.	Number of teeth	d_a mm	d mm	B mm	Weight g
120 211 00	11	31,7	28,39	8	27
120 212 00	12	34,2	30,91	8	31
120 213 00	13	36,7	33,42	8	38
120 214 00	14	39,2	35,95	8	46
120 215 00	15	41,7	38,48	8	53
120 216 00	16	44,3	41,01	10	62
120 218 00	18	49,3	46,07	10	82
120 219 00	19	51,9	48,61	10	93
120 221 00	21	57,0	53,68	10	115
120 222 00	22	59,5	56,21	10	128
120 223 00	23	62,0	58,75	10	143
120 224 00	24	64,6	61,29	10	158
120 225 00	25	67,5	63,83	10	167
120 226 00	26	69,5	66,37	12	179
120 228 00	28	74,8	71,45	12	218
120 230 00	30	79,8	76,53	12	254
120 232 00	32	84,9	81,61	12	288
120 235 00	35	92,5	89,25	12	350
120 238 00	38	100,2	96,88	12	424
120 257 00	57	148,6	145,22	16	985
120 260 00	60	156,2	152,85	16	1083
120 265 00	65	169,6	165,58	20	1308
120 276 00	76	197,7	193,59	20	1785



**Reworking within
24h-service possible.
Custom made parts
on request.**